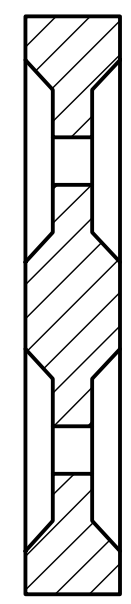
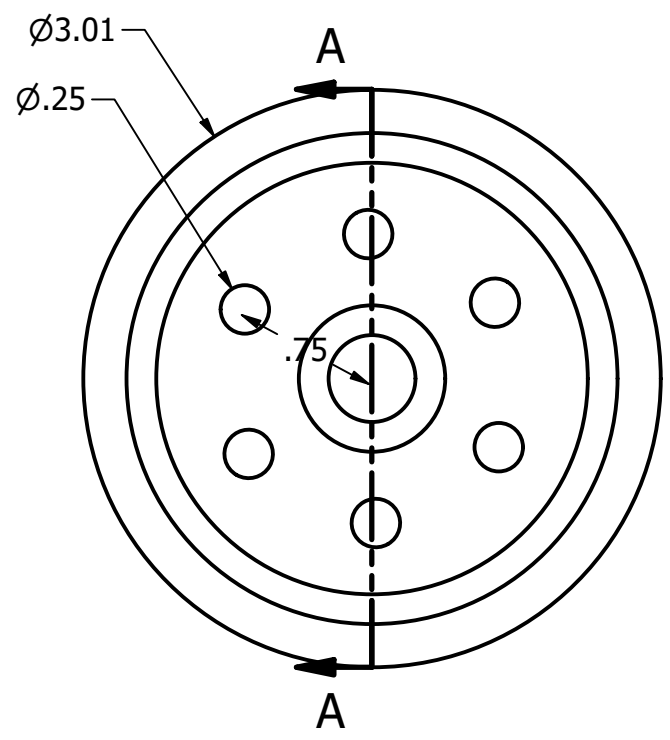
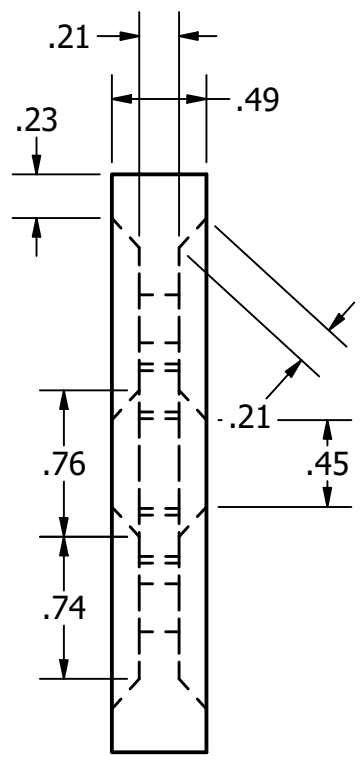


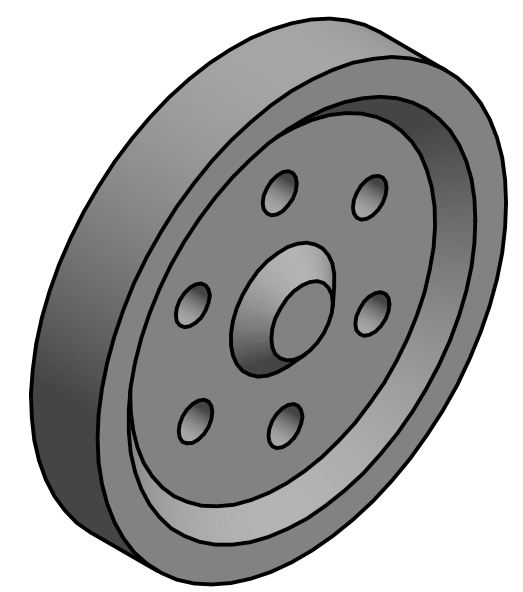
4 3 2 1

B

B



SECTION A-A
SCALE 1 : 1



A

A

A

A

4

3

2

1

DRAWN Libby Hillock	1/14/2021	TITLE		
CHECKED				
QA		Extrude + Revolve Practice		
MFG				
APPROVED		SIZE B	DWG NO revolveextrudepracticedwg	REV
		SCALE 1 : 1	SHEET 1 OF 1	