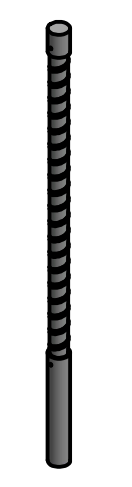
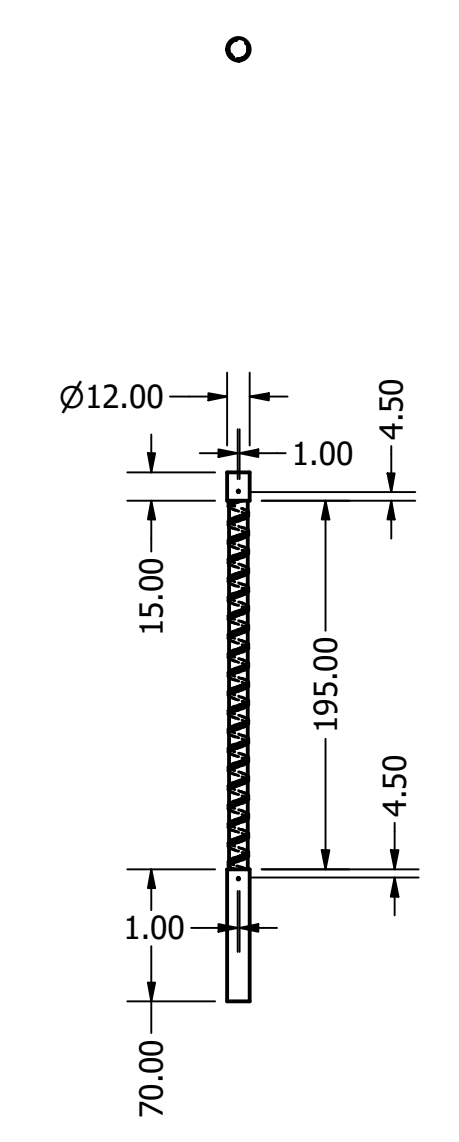


PARTS LIST			
ITEM	QTY	PART NUMBER	DESCRIPTION
1	1	practicelampoutershade	
2	1	practicelampinnershade	
3	1	practicelampbendypart	
4	1	practicelampbase	



DRAWN Libby Hillock	1/22/2021	TITLE	
CHECKED		Practice Lamp Drawing	
QA		SIZE	D
MFG		DWG NO	practicelampdrawing
APPROVED		REV	
SCALE 1 / 4		SHEET 1 OF 1	