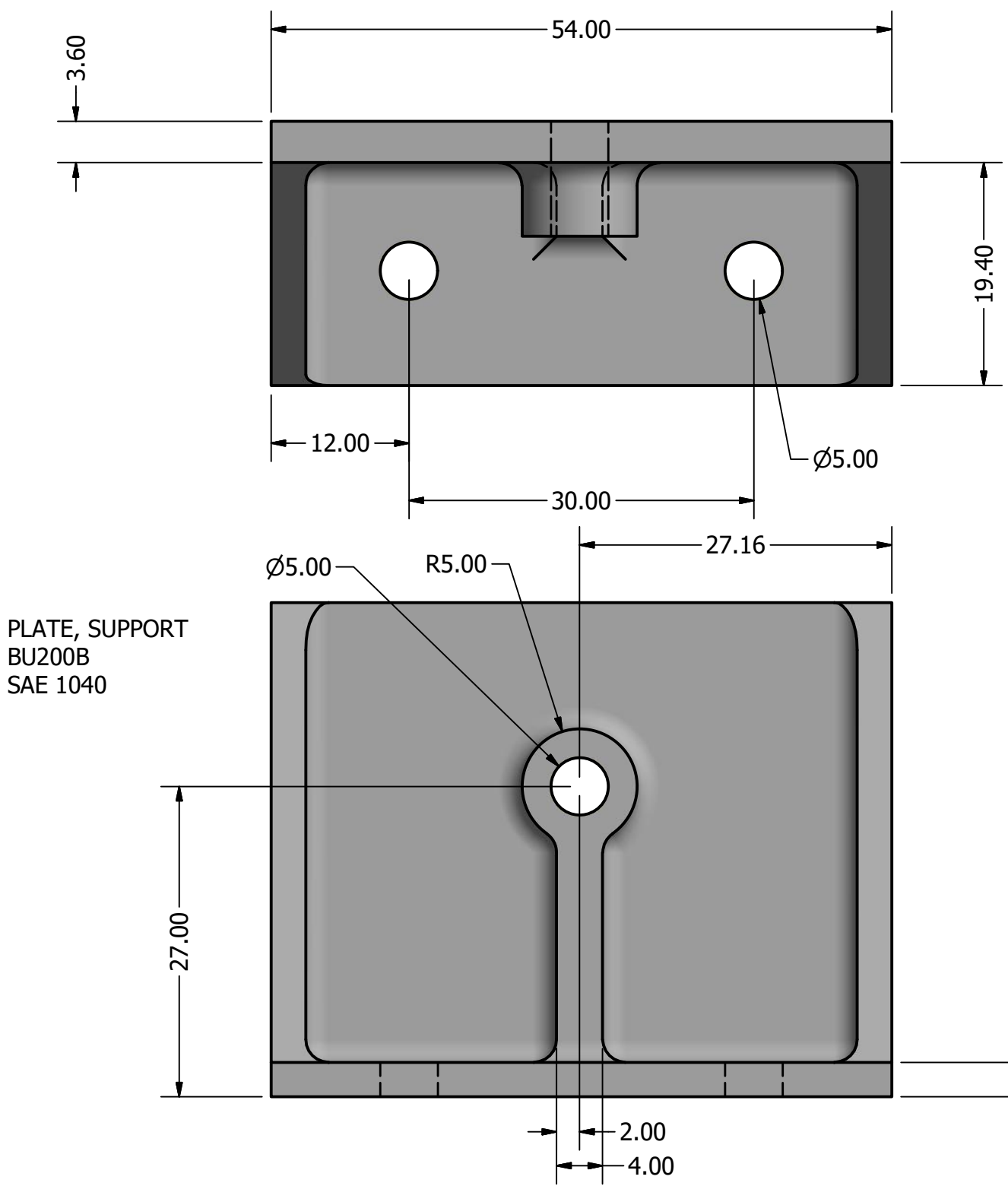
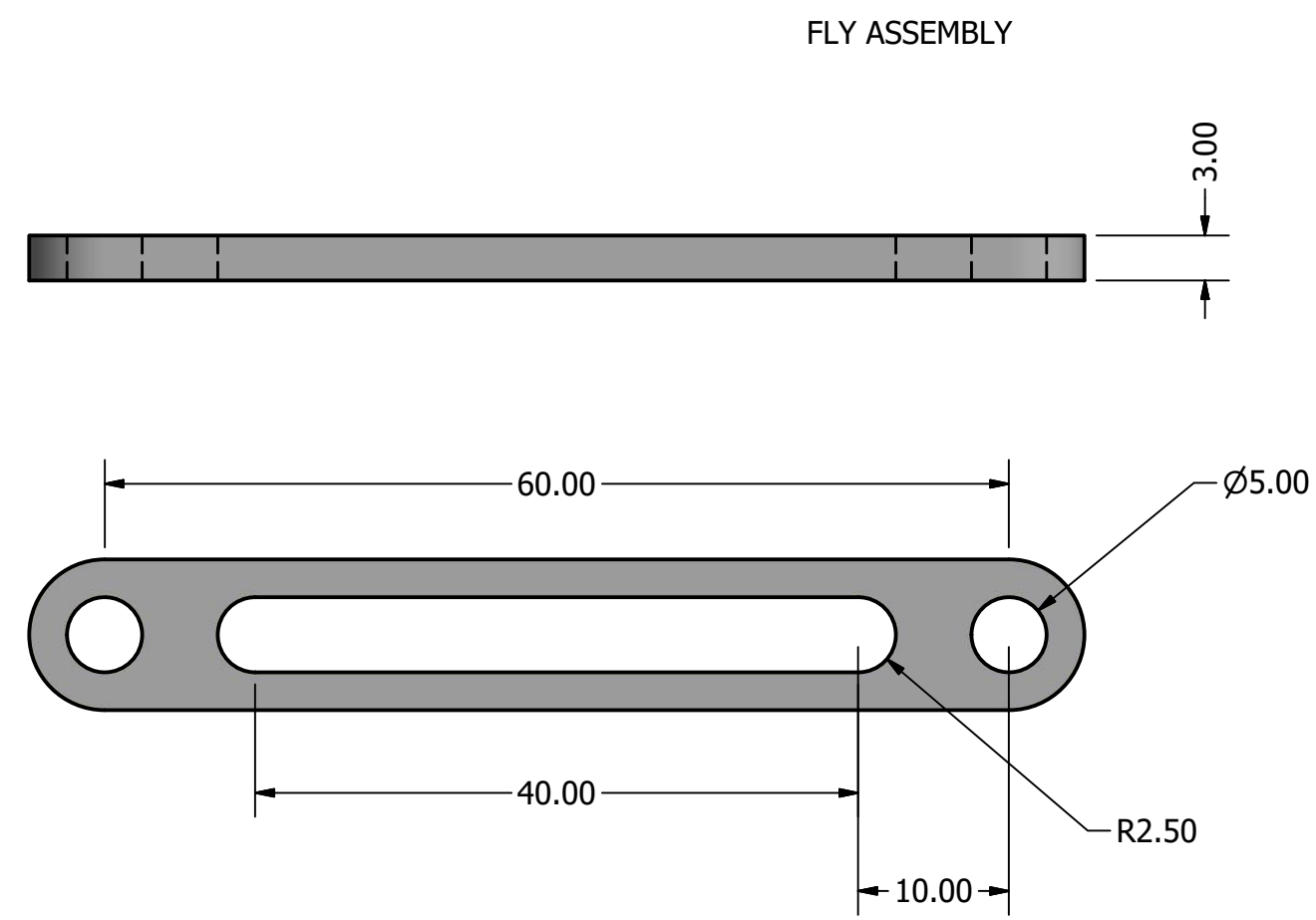
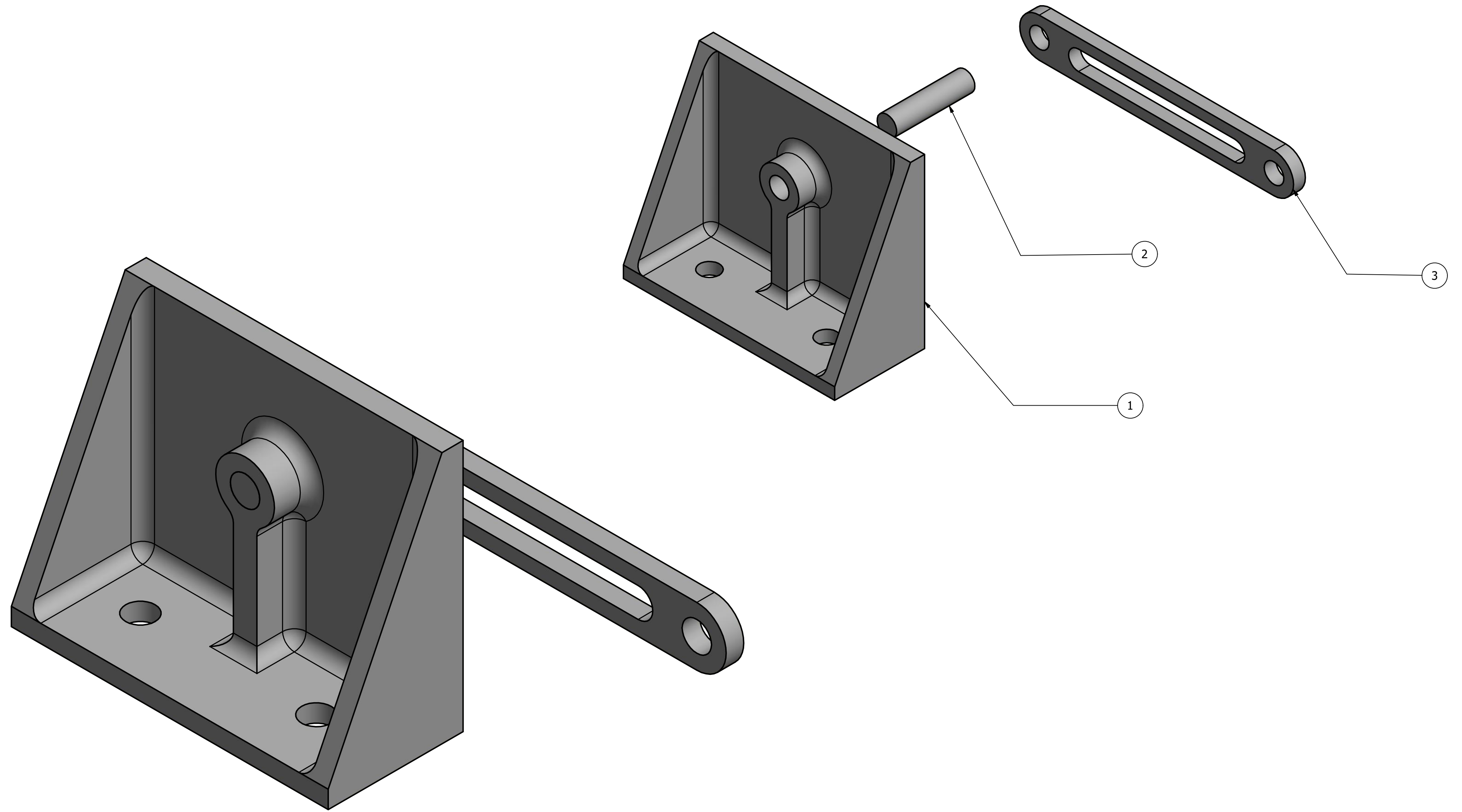
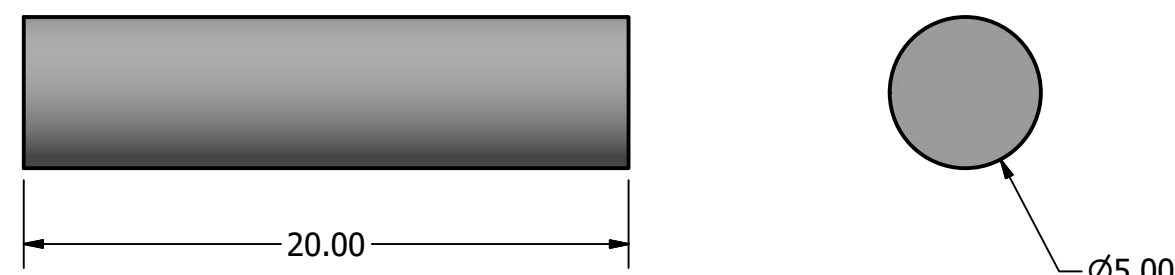


FLYLINK
BU200A
SAE 1040



PLATE, SUPPORT
BU200B
SAE 1040

PEG
BU-200C
SAE 1040



PARTS LIST			
ITEM	QTY	PART NUMBER	DESCRIPTION
1	1		Support Plate
3	1		Flylink
2	1		Peg

DRAWN Owen Snape	1/11/2018	TITLE	
CHECKED		Assembly 2 Project 5-11 Exploded	
QA		SIZE	DWG NO
MFG		D	Assembly1 Project 5-11 Exploded Mu
APPROVED		SCALE	REV
		2 : 1	
		SHEET 1 OF 1	