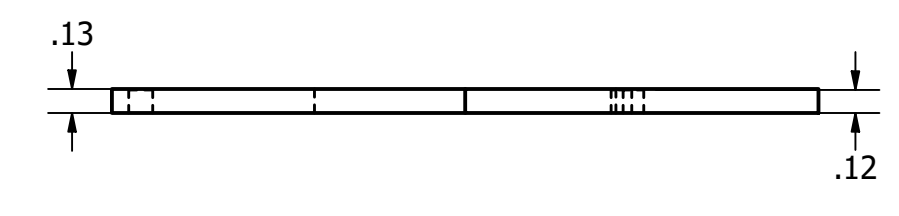
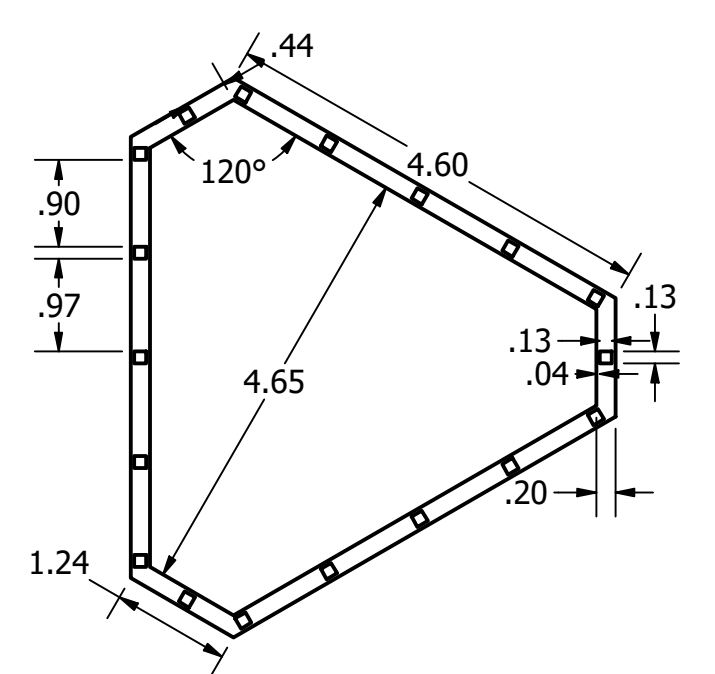
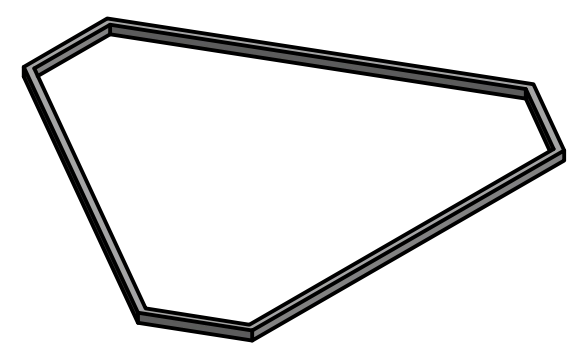
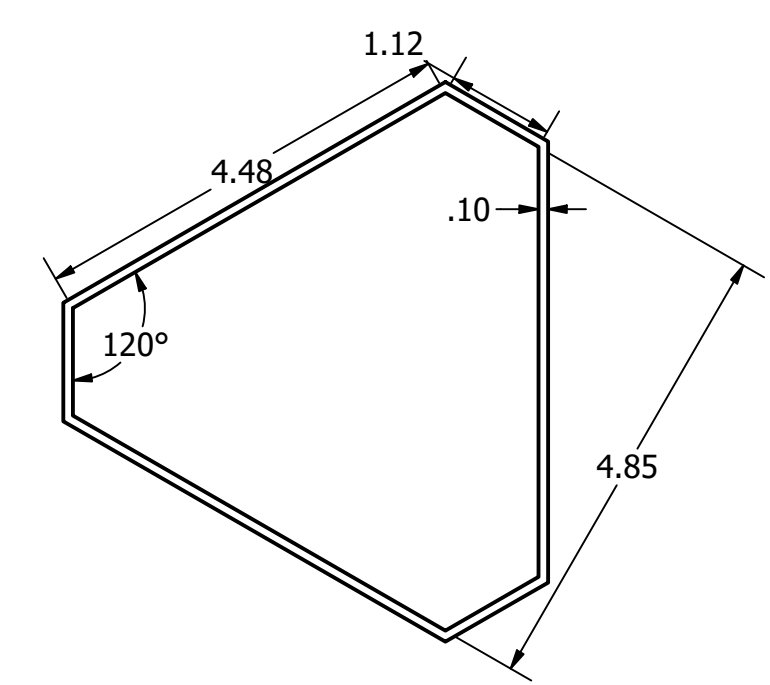


SCALE 1:2

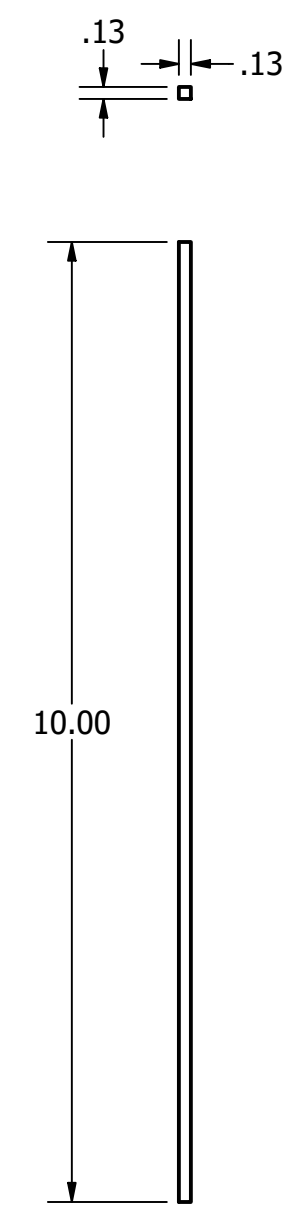
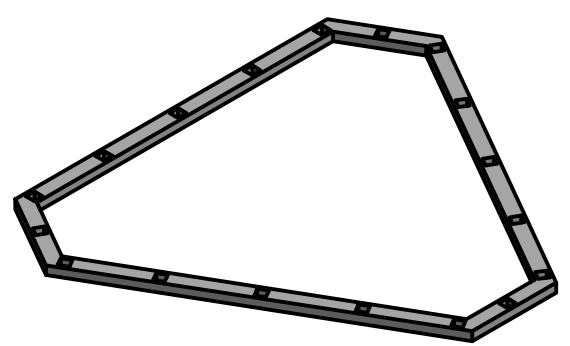
PARTS LIST			
ITEM	QTY	PART NUMBER	DESCRIPTION
1	1	lampbase1base1	
2	1	lampbase1base2	
3	3	lampbase1stilts	



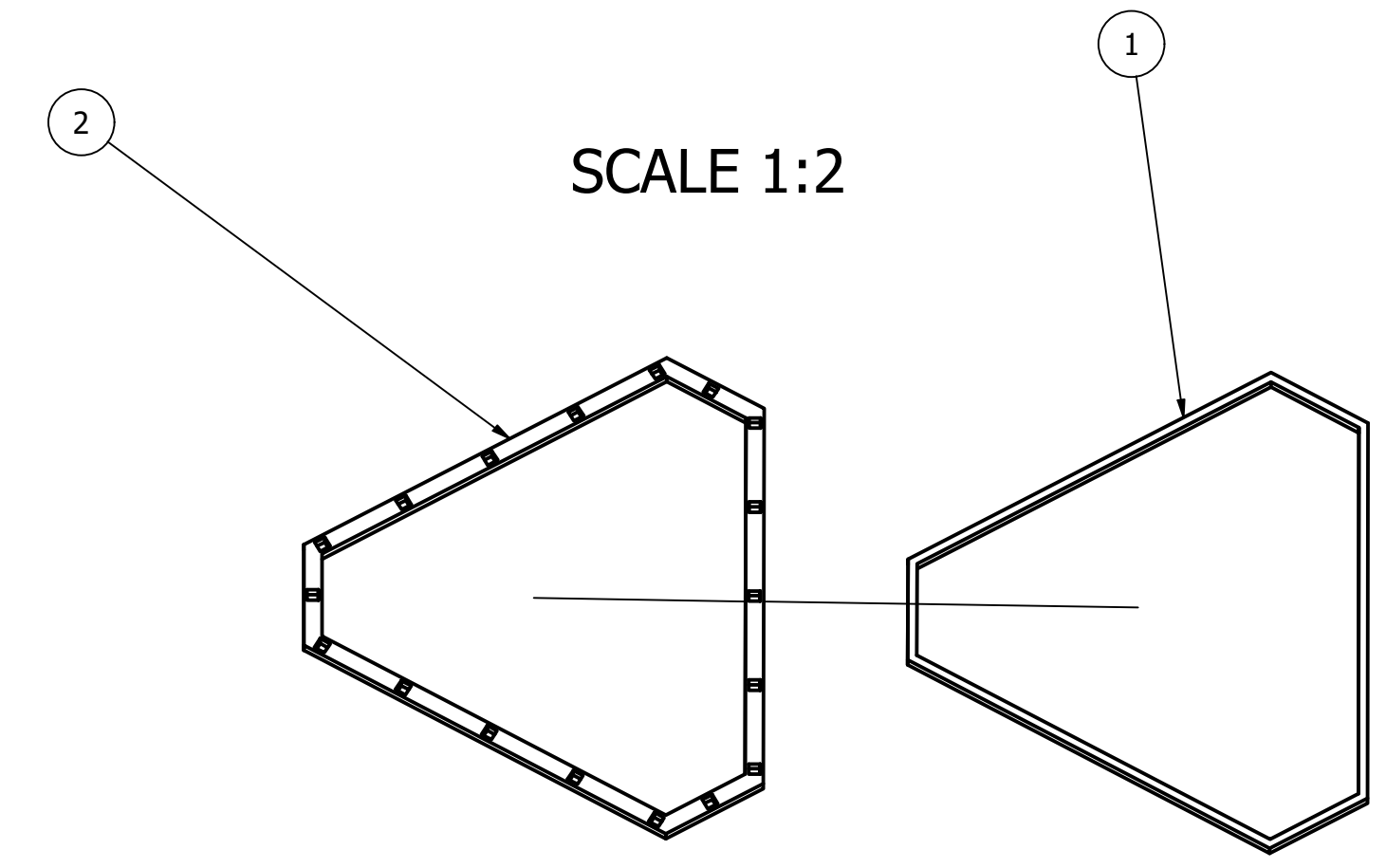
SCALE 1:2



SCALE 1:2

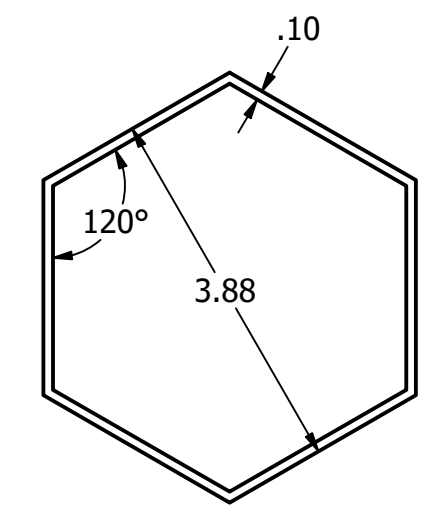


SCALE 1:2

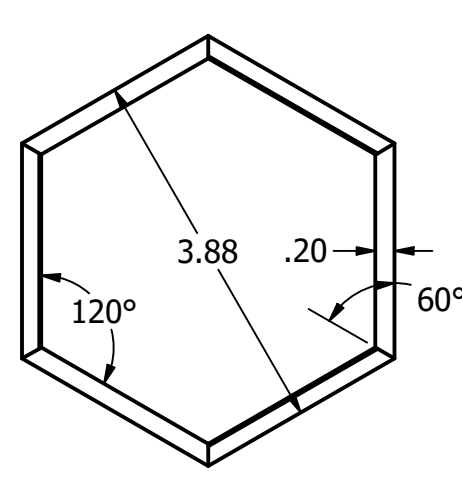
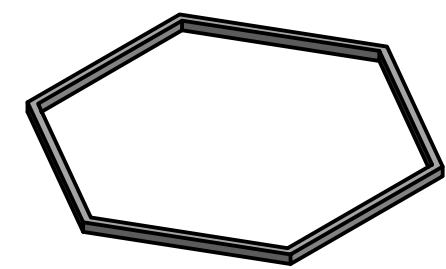


SCALE 1:2

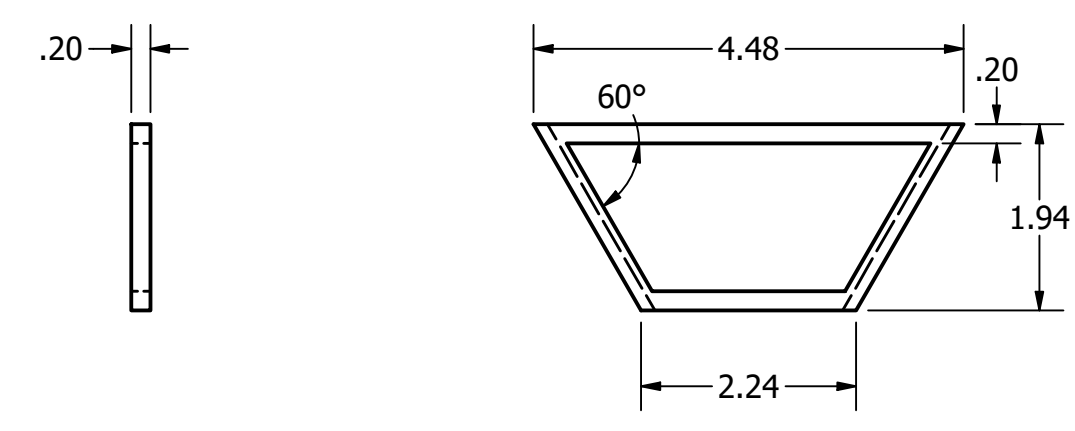
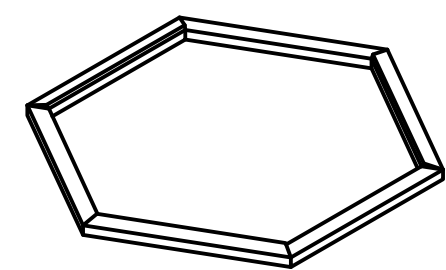
PARTS LIST			
ITEM	QTY	PART NUMBER	DESCRIPTION
1	1	lampshade4part2base1	
2	1	lampshade4part2base2	



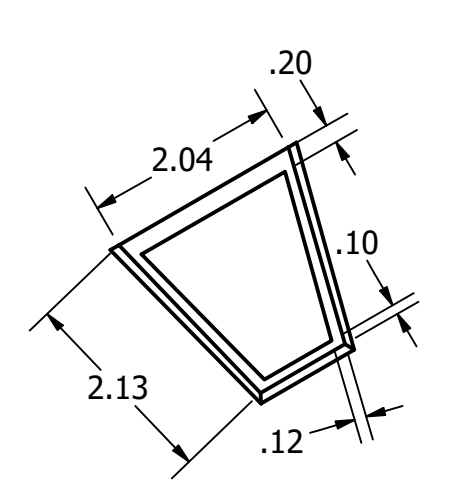
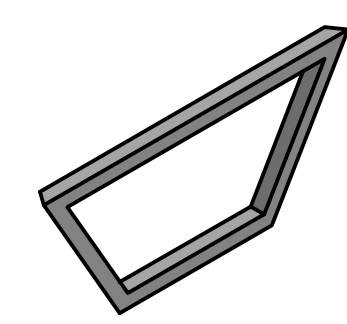
SCALE 1:2



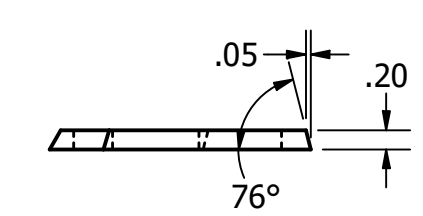
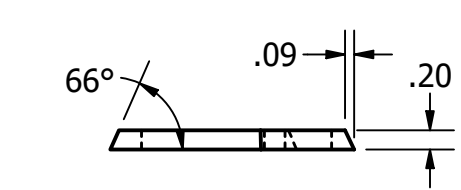
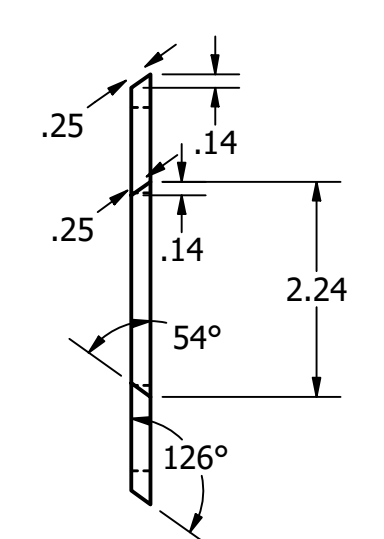
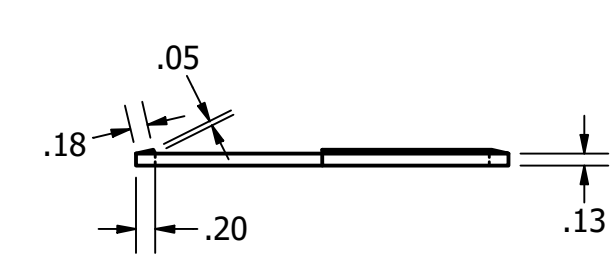
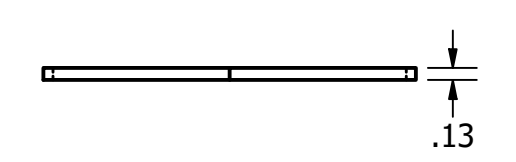
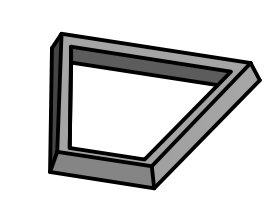
SCALE 1:2



SCALE 1:2



SCALE 1:2



DRAWN Libby Hillock	2/26/2021		
CHECKED		TITLE	
QA		Lamp Project Drawing	
MFG		SIZE	DWG NO
APPROVED		F	lampshade4individualpartsdrawing
		SCALE	1:1
			SHEET 1 OF 1