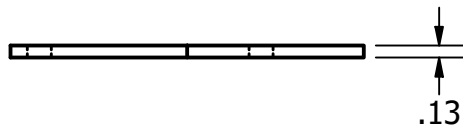
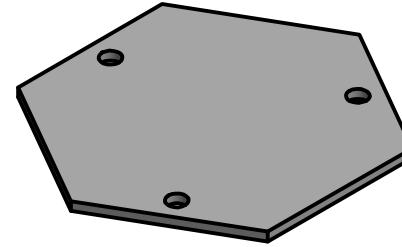
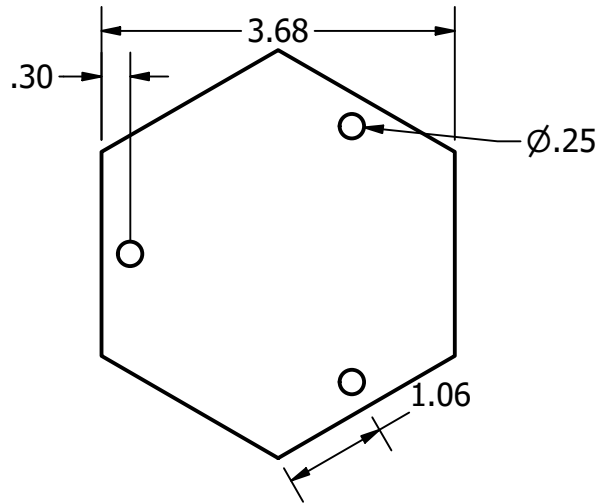
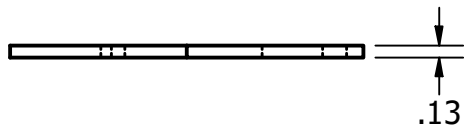
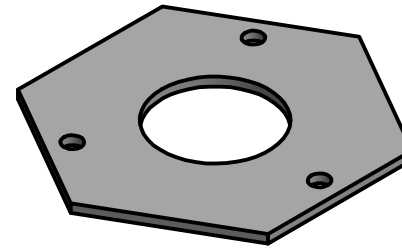
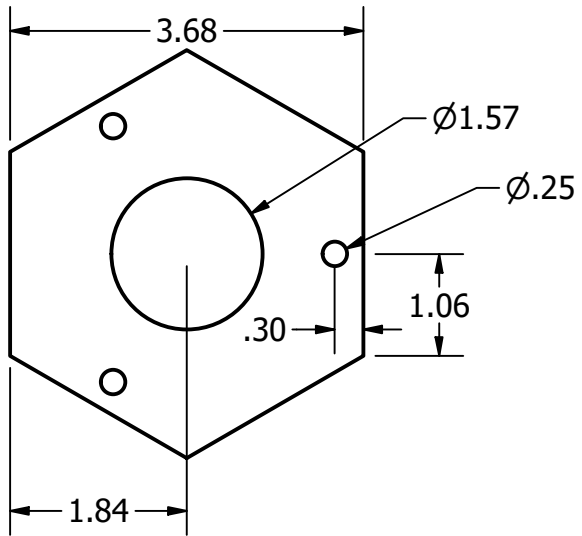


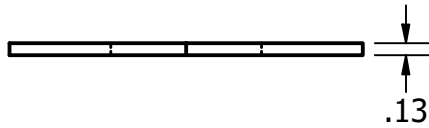
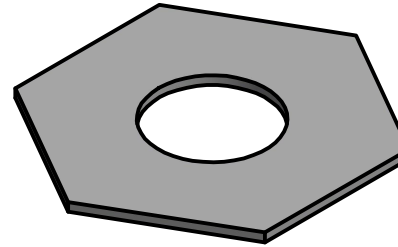
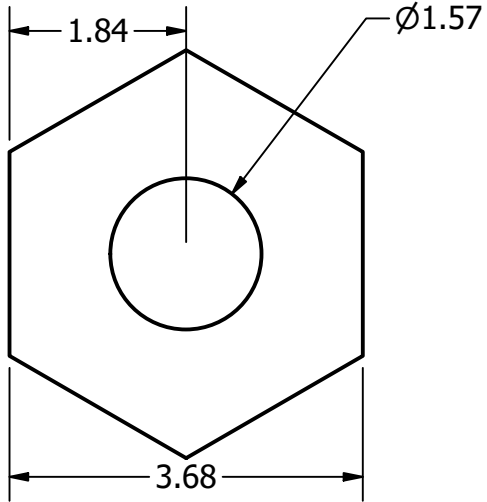
DRAWN Libby Hillock		3/16/2021		TITLE		
CHECKED						
QA						
MFG						
APPROVED				SIZE		
				A		DWG NO
				1 / 2		lampdrawing
				SCALE		REV
				1 / 2		
				SHEET 1 OF 18		



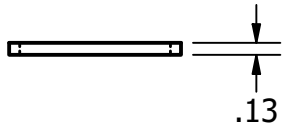
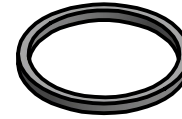
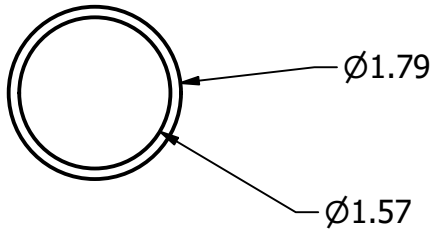
DRAWN Libby Hillock	3/16/2021	TITLE		
CHECKED				
QA				
MFG				
APPROVED				
		SIZE A	DWG NO lampdrawing	REV
		SCALE 1 / 2	SHEET 2 OF 18	



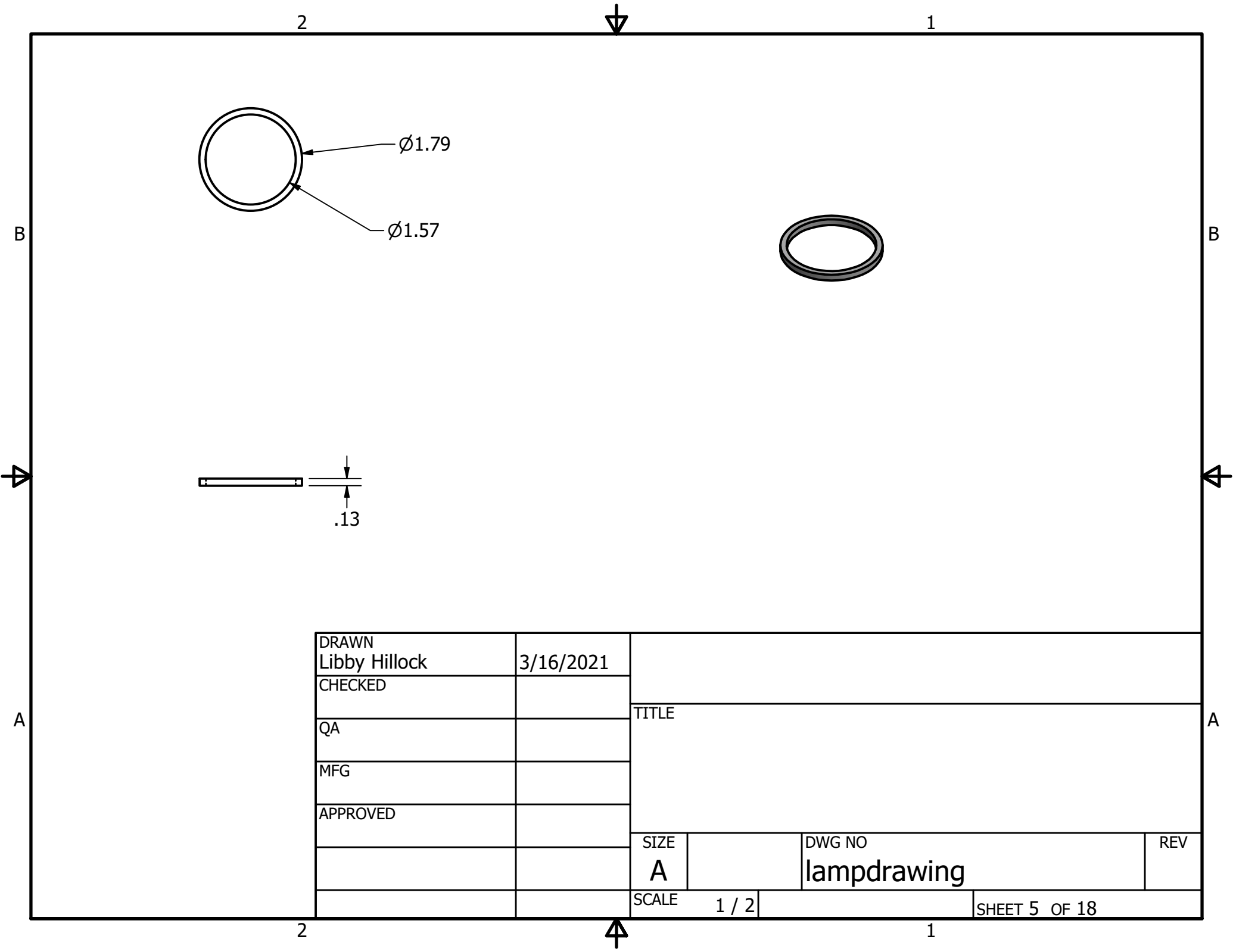
DRAWN Libby Hillock		3/16/2021		TITLE		
CHECKED						
QA						
MFG						
APPROVED						
		SIZE A	DWG NO lampdrawing		REV	
		SCALE 1 / 2			SHEET 3 OF 18	



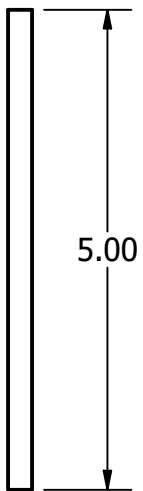
DRAWN Libby Hillock	3/16/2021	TITLE		
CHECKED				
QA				
MFG				
APPROVED				
		SIZE A	DWG NO lampdrawing	REV
		SCALE 1 / 2	SHEET 4 OF 18	



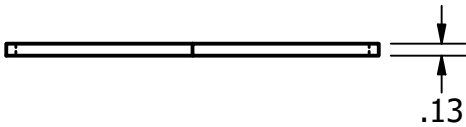
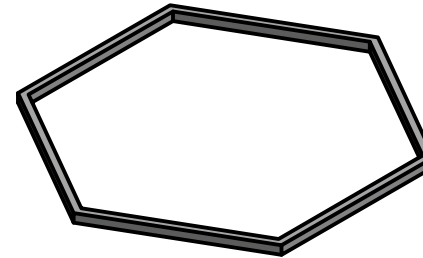
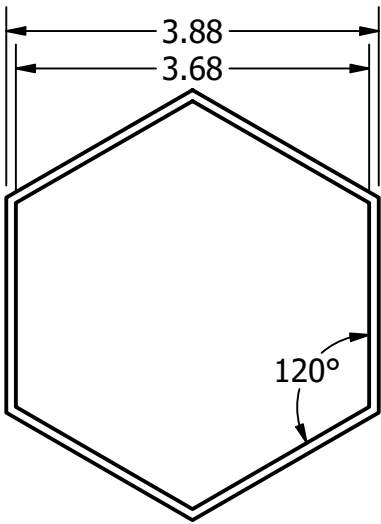
DRAWN Libby Hillock	3/16/2021	TITLE		
CHECKED				
QA				
MFG				
APPROVED				
		SIZE A	DWG NO lampdrawing	REV
		SCALE 1 / 2	SHEET 5 OF 18	



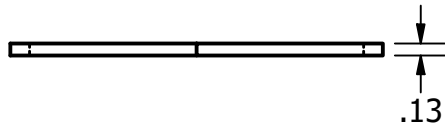
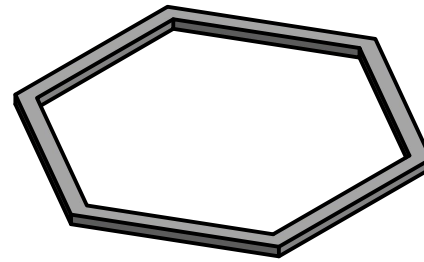
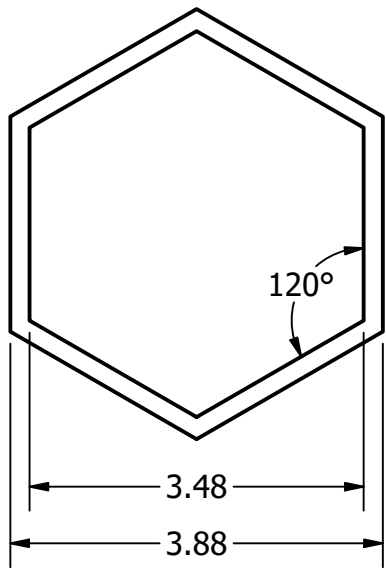
Ø.25



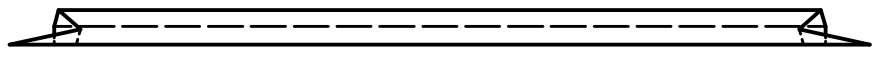
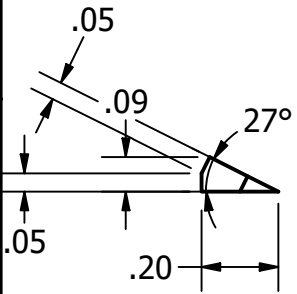
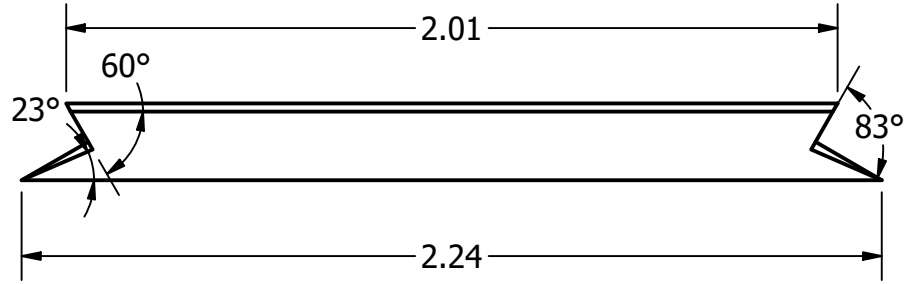
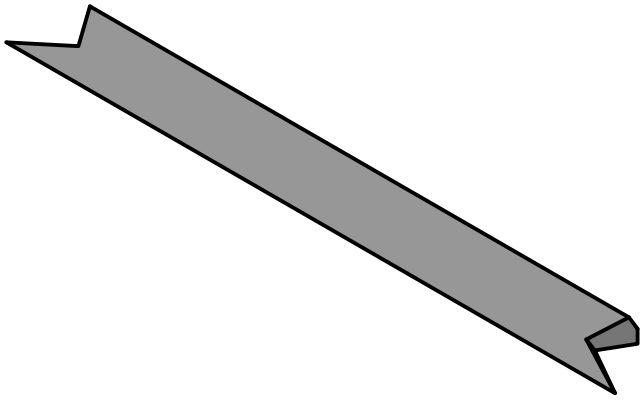
DRAWN Libby Hillock	3/16/2021			
CHECKED		TITLE		
QA				
MFG				
APPROVED				
		SIZE A	DWG NO lampdrawing	REV
		SCALE 1 / 2	SHEET 6 OF 18	



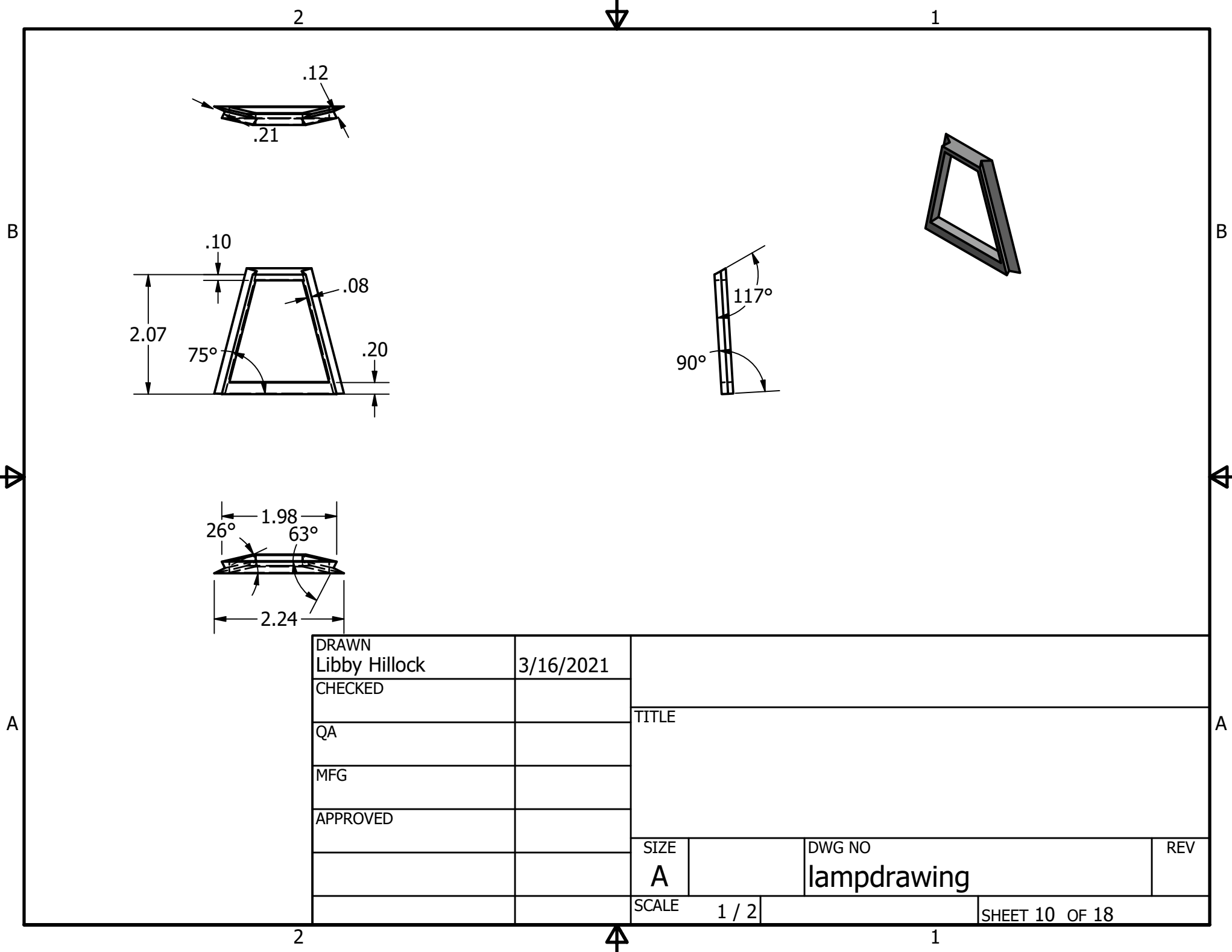
DRAWN Libby Hillock	3/16/2021	TITLE		
CHECKED				
QA				
MFG				
APPROVED				
		SIZE A	DWG NO lampdrawing	REV
		SCALE 1 / 2	SHEET 7 OF 18	



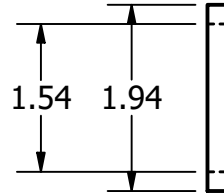
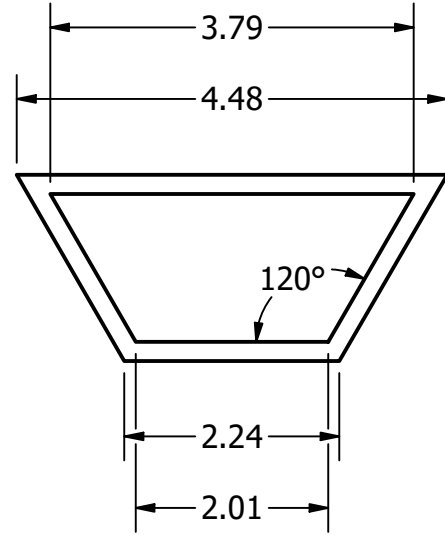
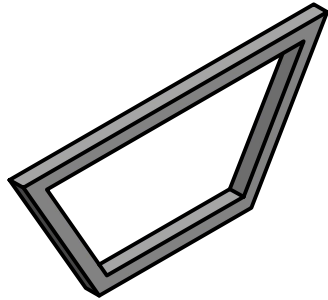
DRAWN Libby Hillock	3/16/2021	TITLE		
CHECKED				
QA				
MFG				
APPROVED				
		SIZE A	DWG NO lampdrawing	REV
		SCALE 1 / 2	SHEET 8 OF 18	



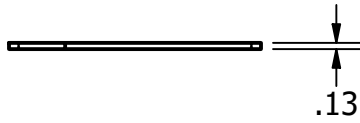
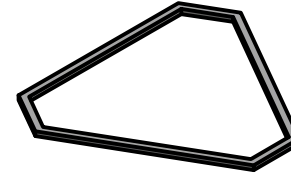
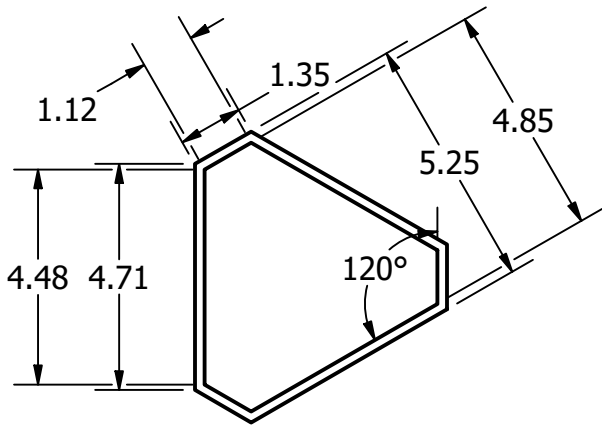
DRAWN Libby Hillock	3/16/2021	TITLE		
CHECKED				
QA				
MFG				
APPROVED		SIZE A	DWG NO lampdrawing	REV
		SCALE 2 : 1	SHEET 9 OF 18	



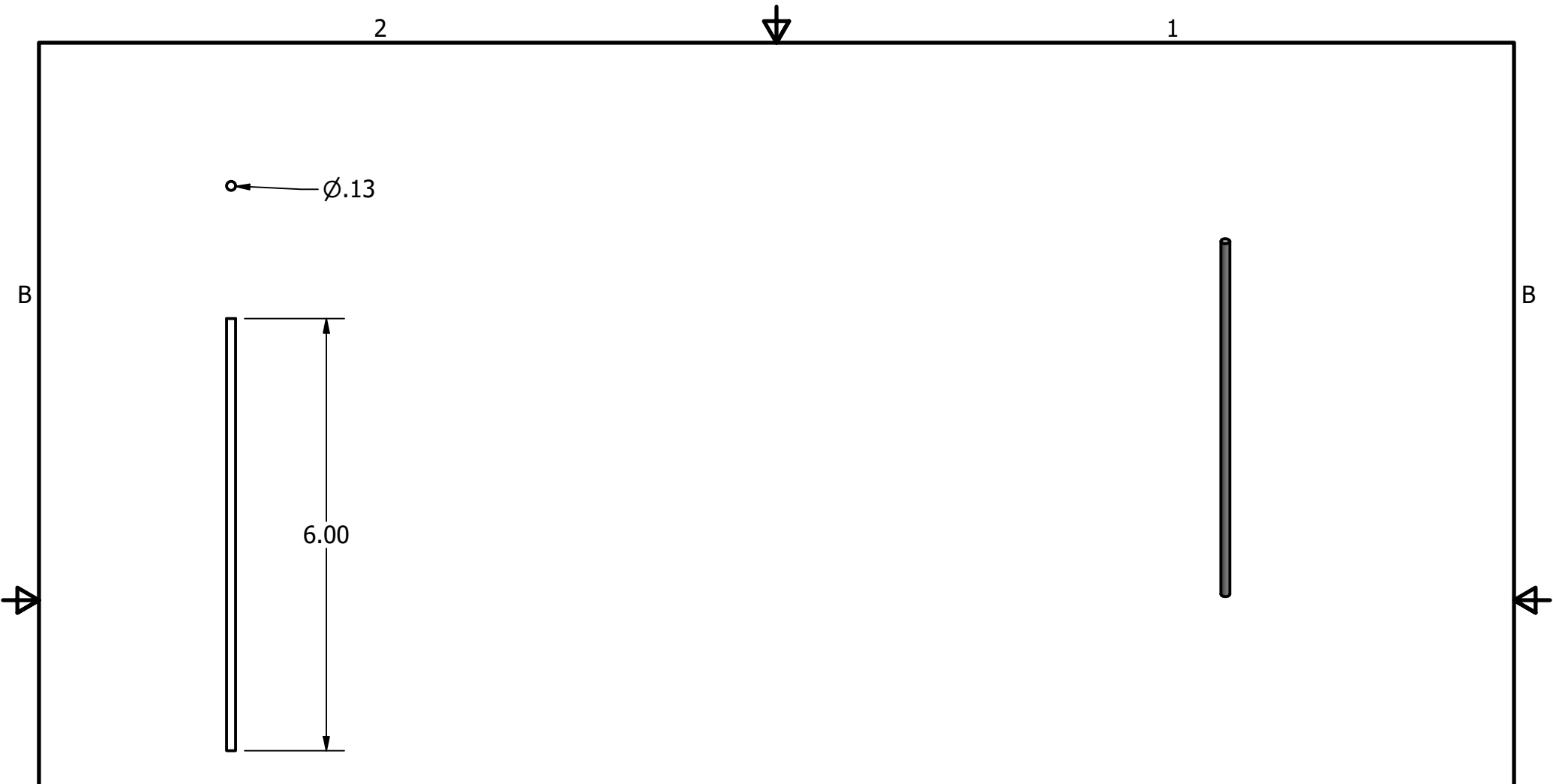
DRAWN Libby Hillock		3/16/2021		TITLE	
CHECKED					
QA					
MFG					
APPROVED					
		SIZE A	DWG NO lampdrawing		REV
		SCALE 1 / 2			SHEET 10 OF 18



DRAWN Libby Hillock	3/16/2021	TITLE		
CHECKED				
QA				
MFG				
APPROVED				
		SIZE A	DWG NO lampdrawing	REV
		SCALE 1 / 2	SHEET 11 OF 18	



DRAWN Libby Hillock	3/16/2021			
CHECKED		TITLE		
QA				
MFG				
APPROVED				
		SIZE A	DWG NO lampdrawing	REV
		SCALE 1 / 4	SHEET 12 OF 18	



DRAWN Libby Hillock	3/16/2021			
CHECKED		TITLE		
QA				
MFG				
APPROVED				
		SIZE A	DWG NO lampdrawing	REV
		SCALE 1 / 2	SHEET 14 OF 18	

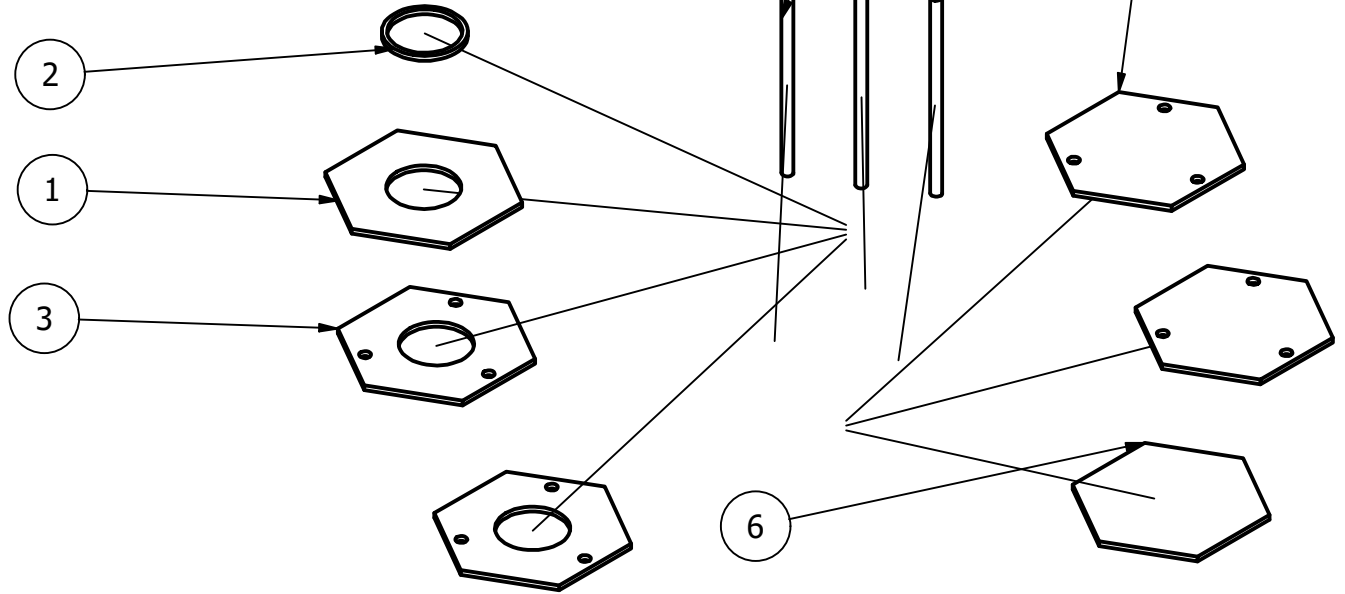
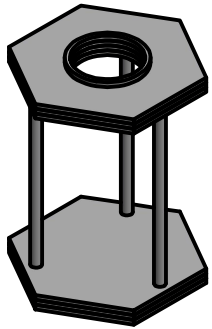
2



1

PARTS LIST

ITEM	QTY	PART NUMBER	DESCRIPTION
1	1	lampbase1part1	
2	1	lampbase1part2	
3	2	lampbase1part3	
4	3	lampbase1part4	
5	2	lampbase2part1	
6	1	lampbase2part2	



DRAWN Libby Hillock	3/16/2021
CHECKED	
QA	
MFG	
APPROVED	

TITLE		
SIZE A	DWG NO lampdrawing	REV
SCALE 1 / 4	SHEET 15 OF 18	

2



1

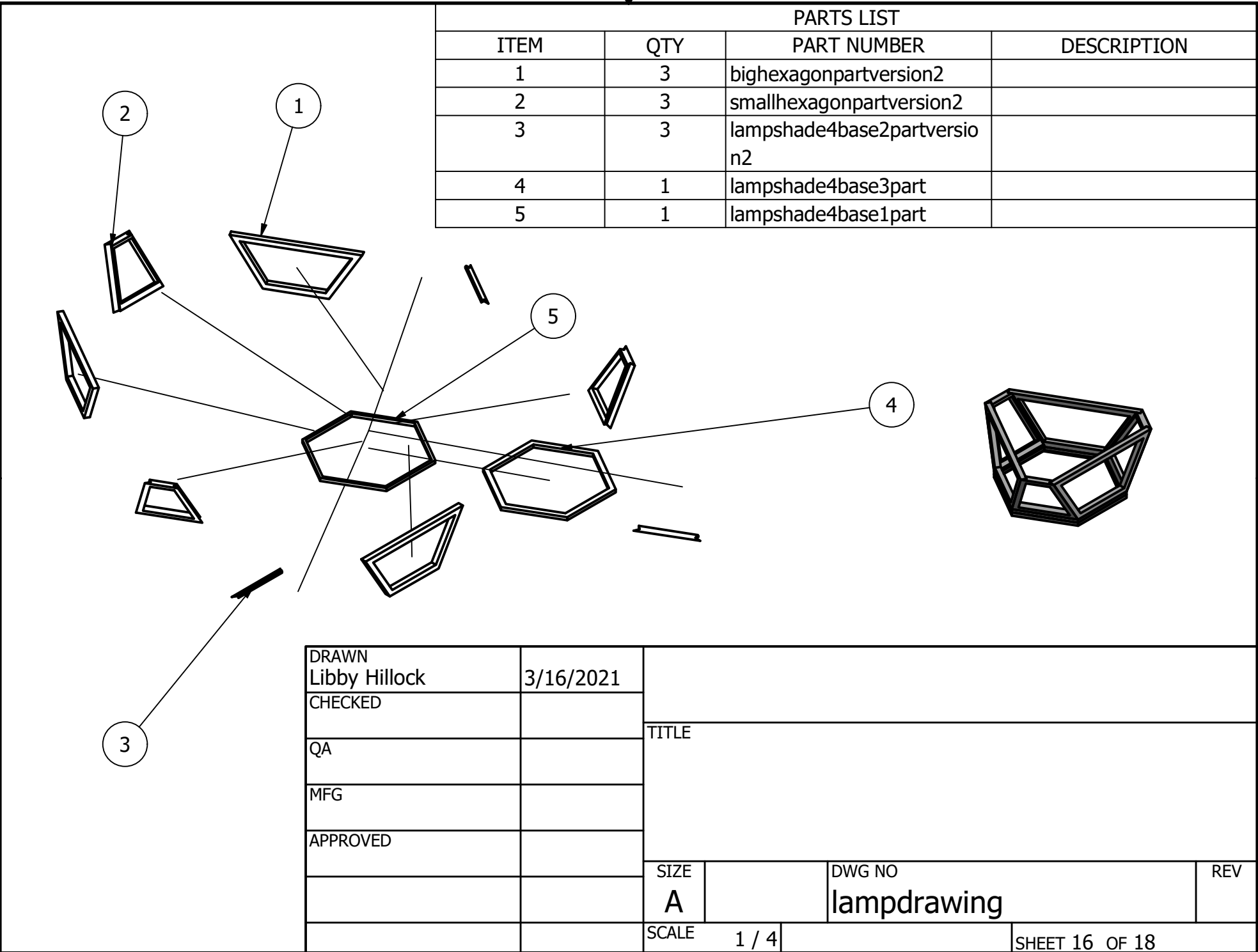
B

B



A

A



PARTS LIST			
ITEM	QTY	PART NUMBER	DESCRIPTION
1	3	bighexagonpartversion2	
2	3	smallhexagonpartversion2	
3	3	lampshade4base2partversio n2	
4	1	lampshade4base3part	
5	1	lampshade4base1part	

DRAWN Libby Hillock	3/16/2021	TITLE		
CHECKED				
QA				
MFG				
APPROVED				
		SIZE A	DWG NO lampdrawing	REV
		SCALE 1 / 4	SHEET 16 OF 18	

2



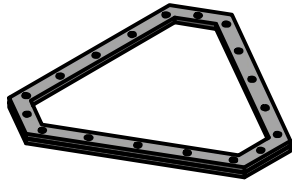
1

PARTS LIST

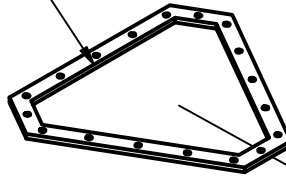
ITEM	QTY	PART NUMBER	DESCRIPTION
1	1	lampshade4part2base1	
2	1	lampshade4part2base2	

B

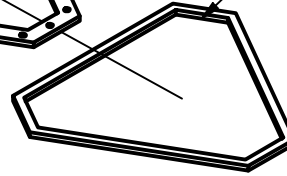
B



2



1



A

A

DRAWN Libby Hillock	3/16/2021	TITLE		
CHECKED				
QA				
MFG				
APPROVED				
		SIZE A	DWG NO lampdrawing	REV
		SCALE 1 / 4	SHEET 17 OF 18	

2



1

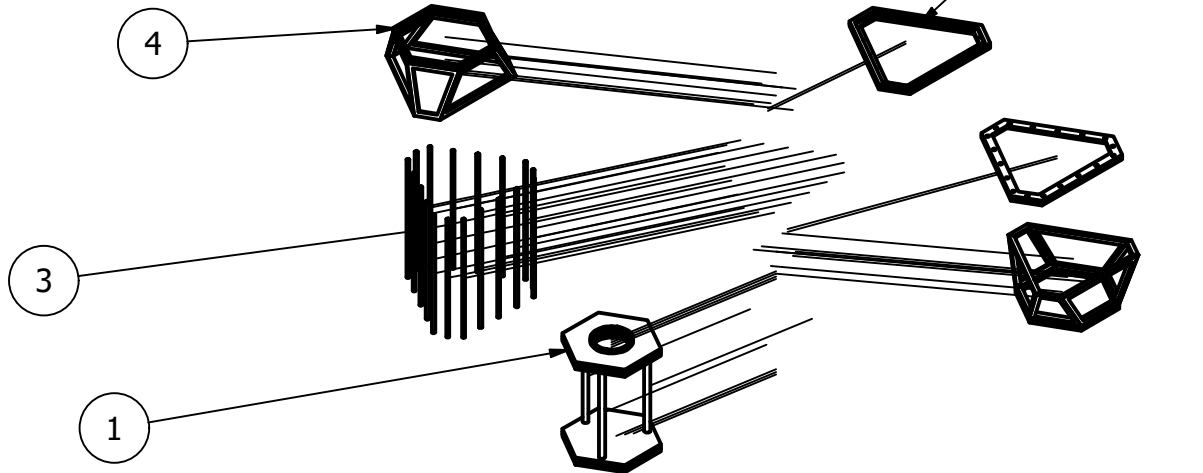
2



1

PARTS LIST			
ITEM	QTY	PART NUMBER	DESCRIPTION
1	1	lampbase1assembly	
2	2	lampshade4part2assembly	
3	18	lampshade4part2base3	
4	2	lampshade4partassembly	

B



B



A

A

DRAWN Libby Hillock	3/16/2021	TITLE		
CHECKED				
QA				
MFG				
APPROVED				
		SIZE A	DWG NO lampdrawing	REV
		SCALE 1/8	SHEET 18 OF 18	

2



1