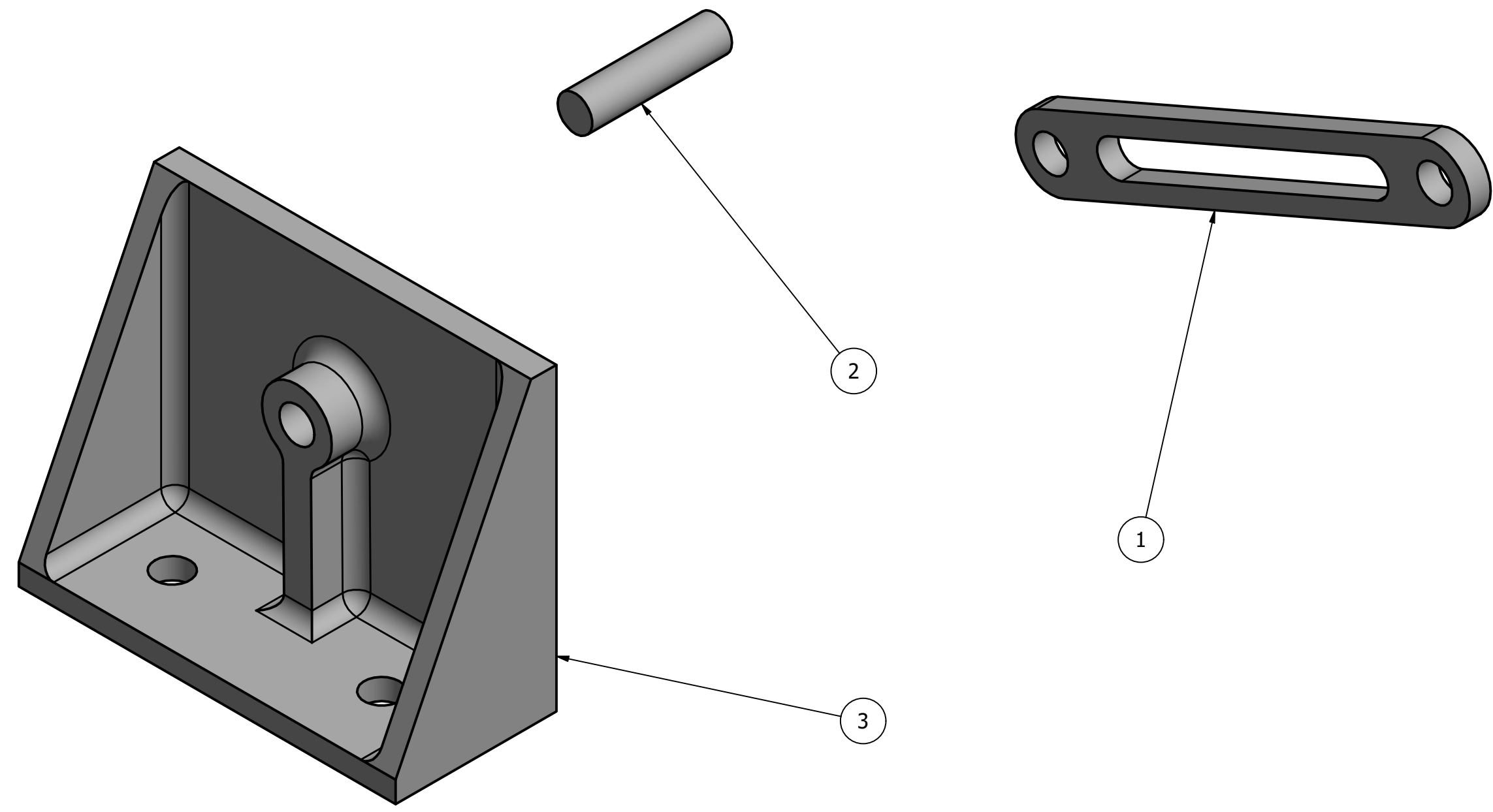
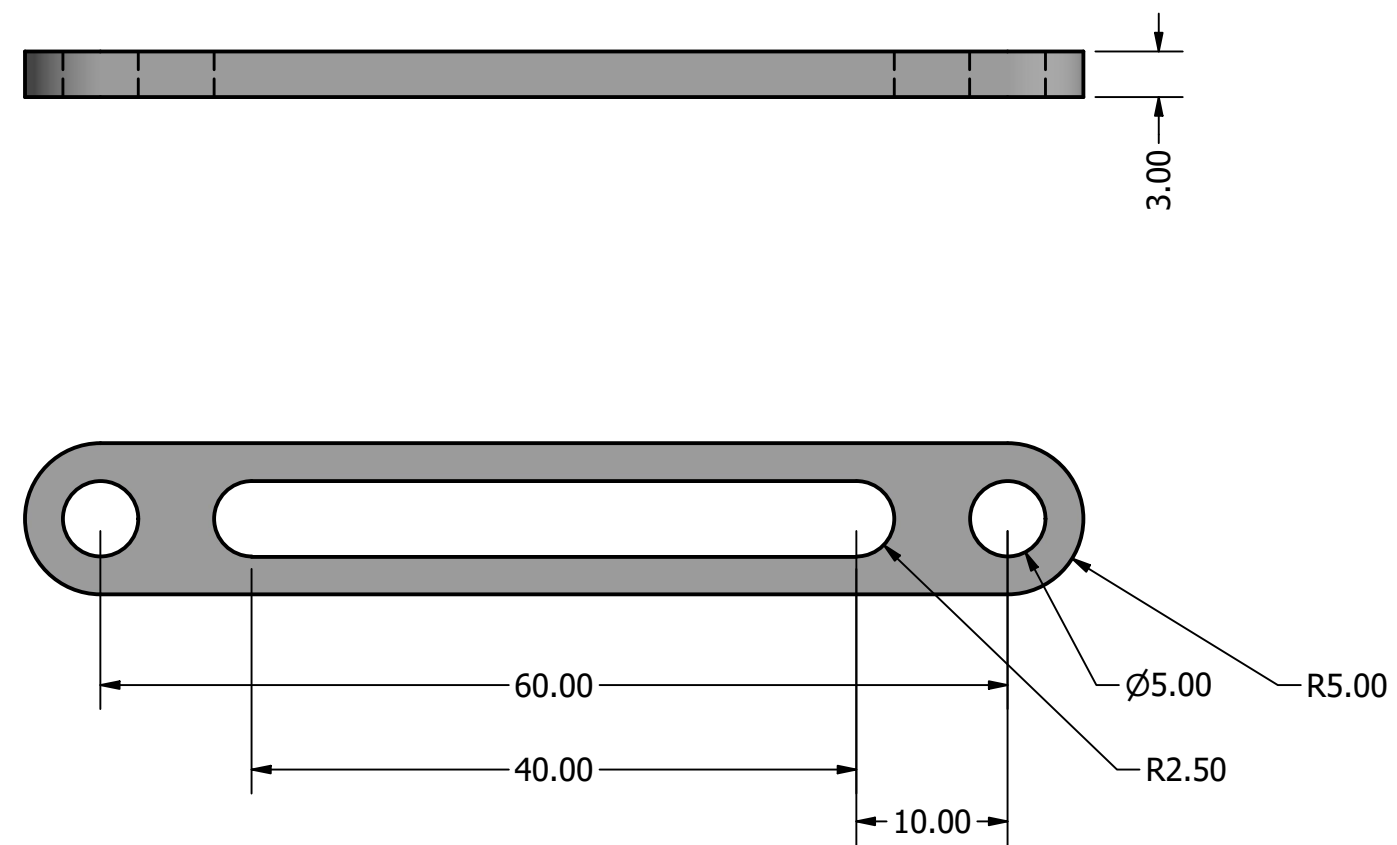
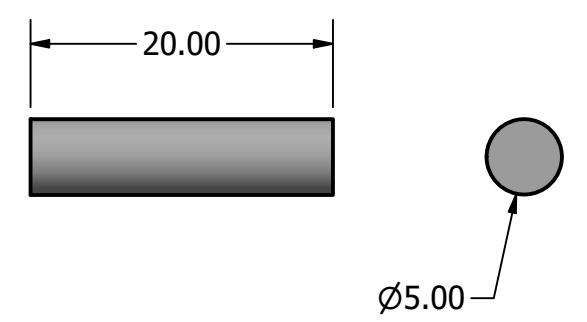
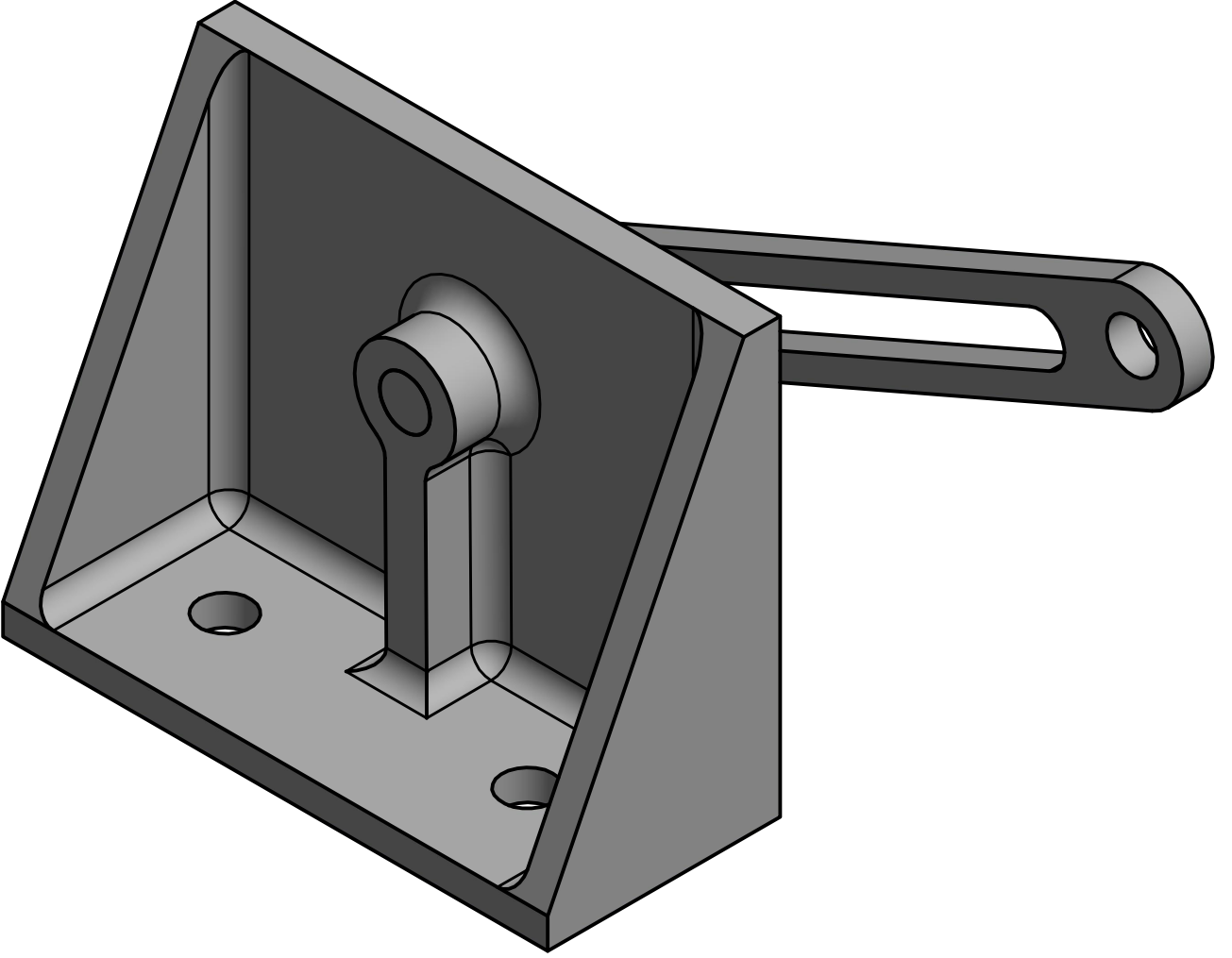
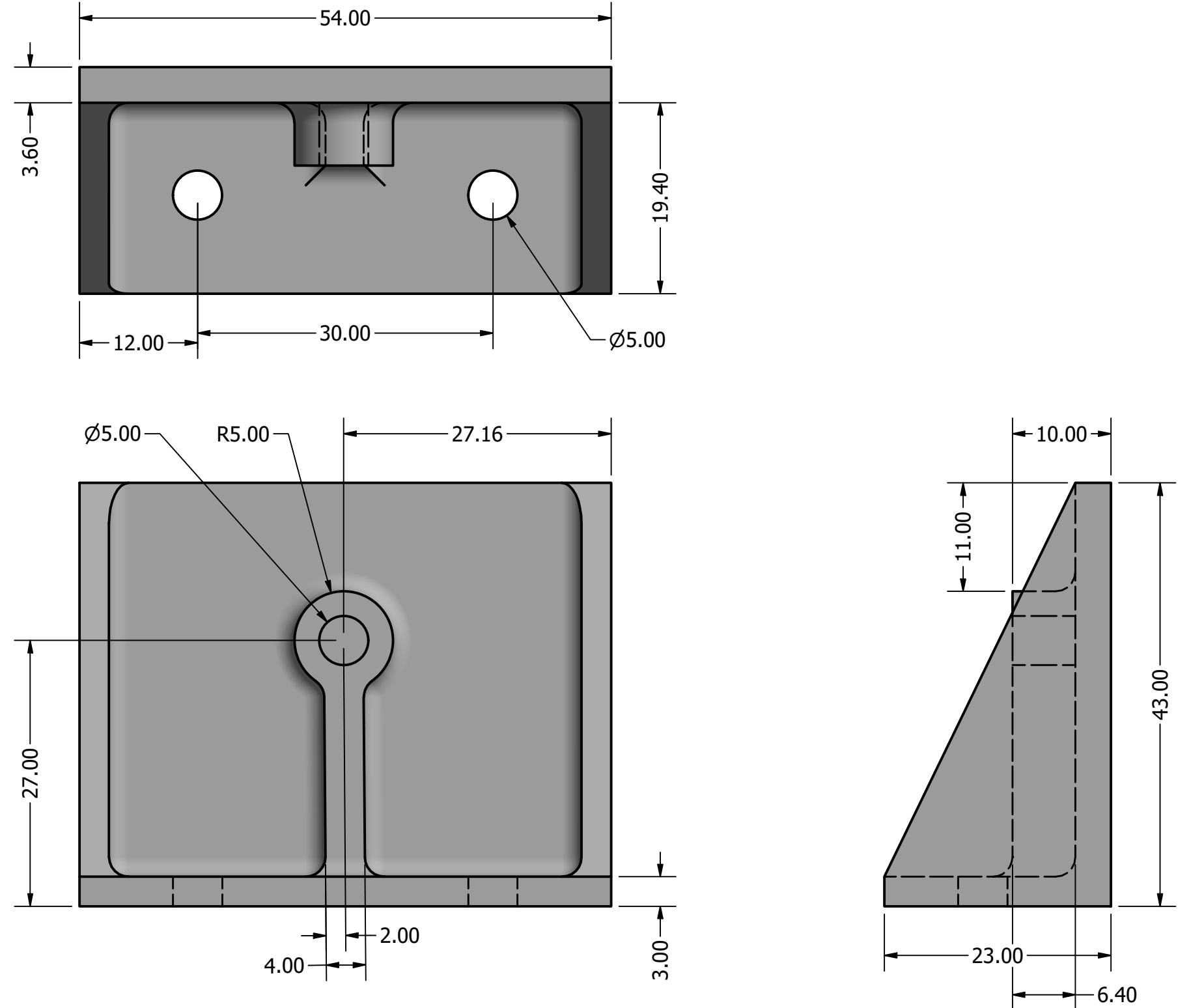


8 7 6 5 4 3 2 1



PARTS LIST			
ITEM	QTY	PART NUMBER	DESCRIPTION
1	1	flylink	
2	1	peg	
3	1	platesupport	



DRAWN Libby Hillock	1/12/2021	TITLE	
CHECKED		Assembly 2 Project 5-11 Exploded	
QA		SIZE	DWG NO
MFG		D	flyassemblydwg
APPROVED		SCALE	REV
		2 : 1	
			SHEET 1 OF 1

8 7 6 5 4 3 2 1