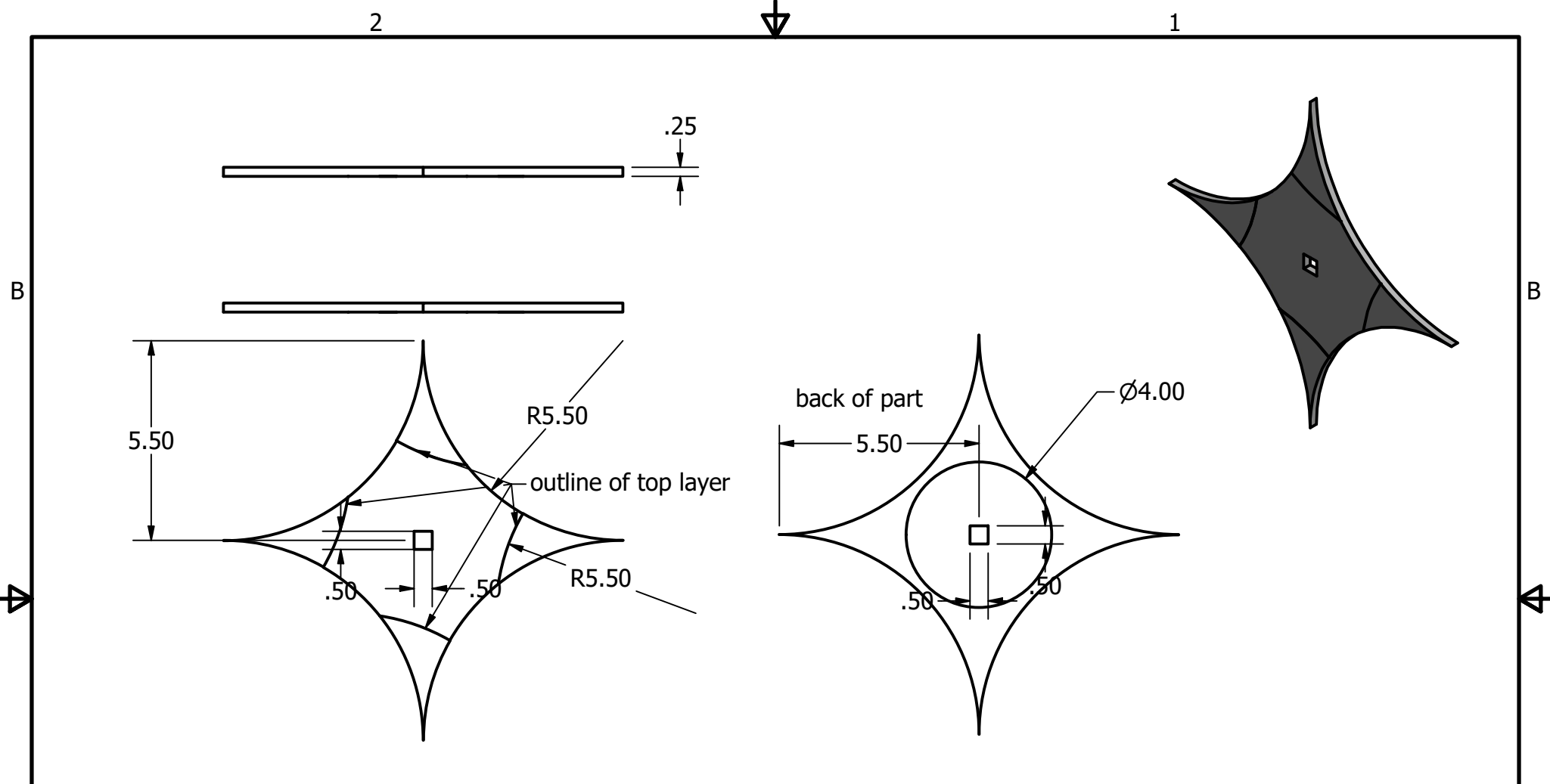
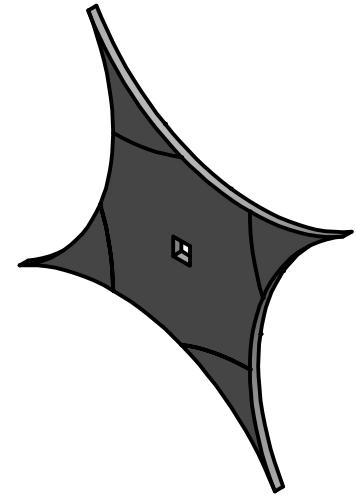
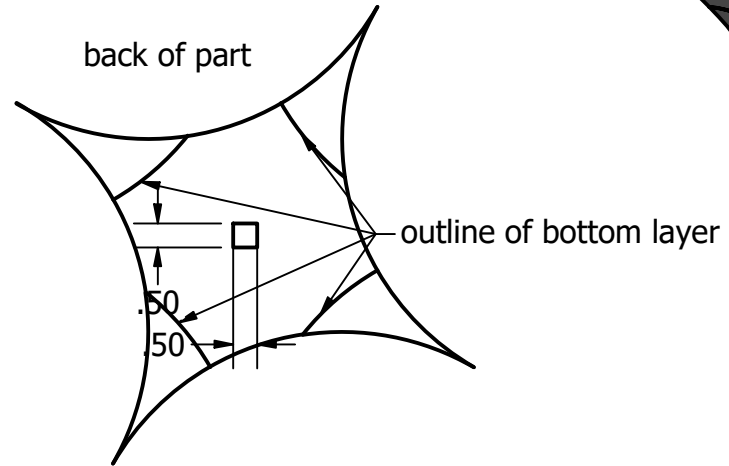
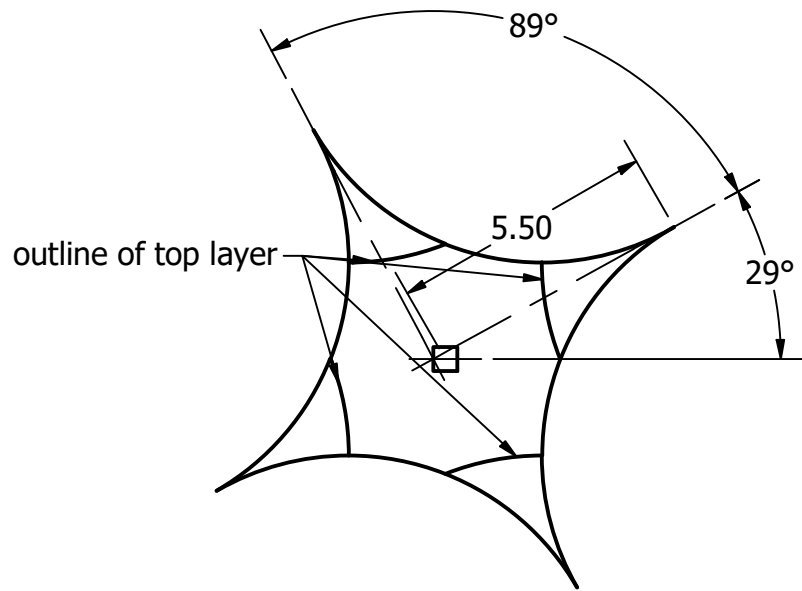
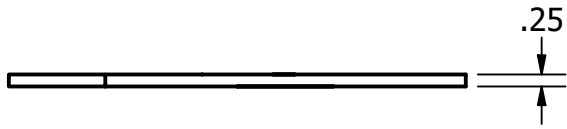


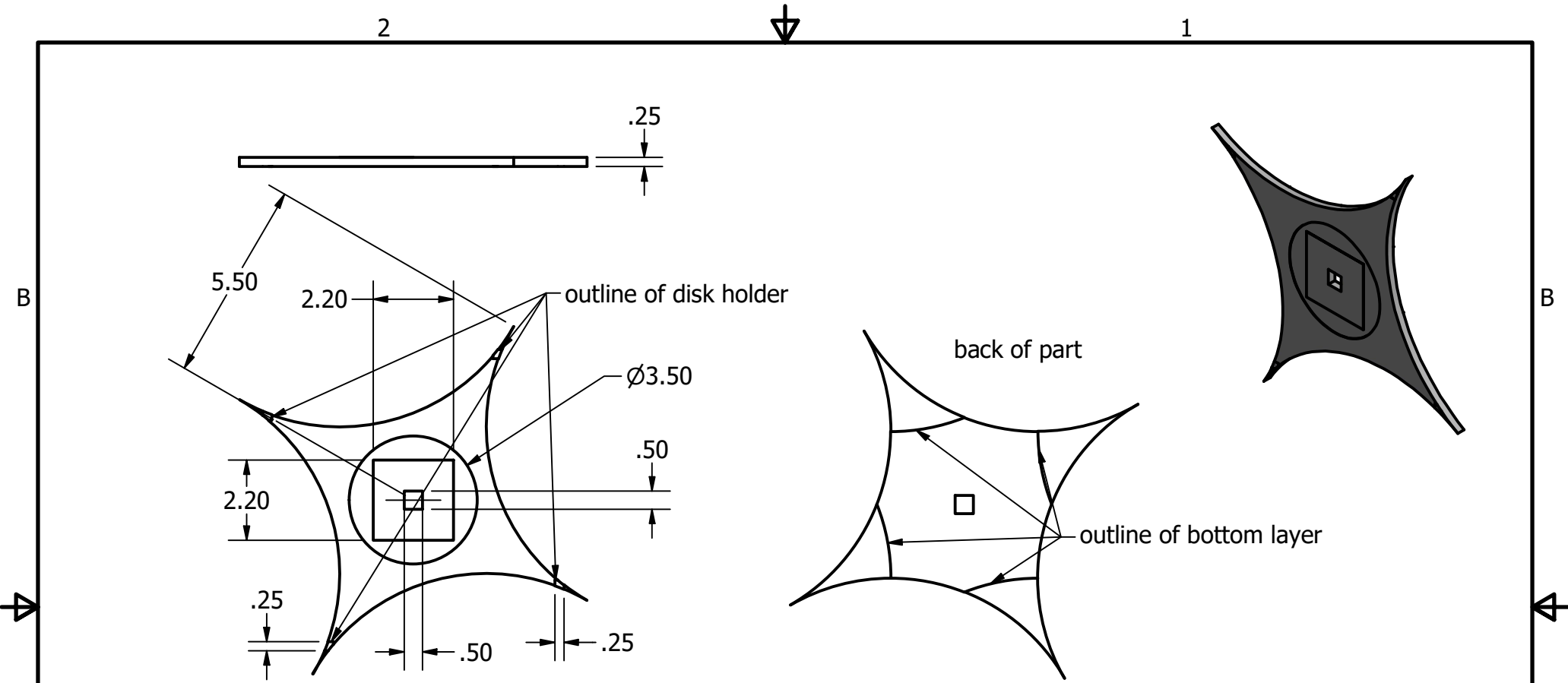
DRAWN John Hillock	4/30/2021	TITLE		
CHECKED				
QA				
MFG				
APPROVED		SIZE A	DWG NO clock-parts-drawings-version-1	REV
		SCALE 1 / 2	SHEET 1 OF 13	



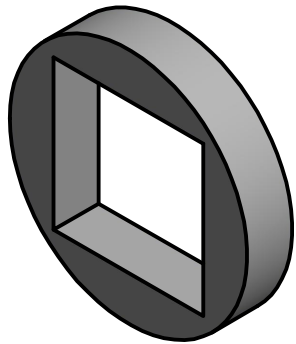
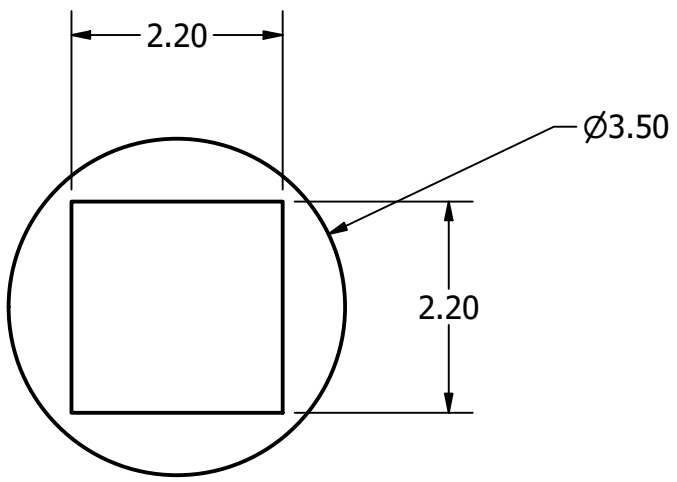
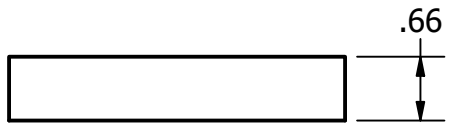
DRAWN John Hillock		4/30/2021		TITLE			
CHECKED							
QA							
MFG							
APPROVED							
				SIZE		DWG NO	REV
				A		clock-parts-drawings-version-1	1
				SCALE	1 / 4	SHEET 2 OF 13	



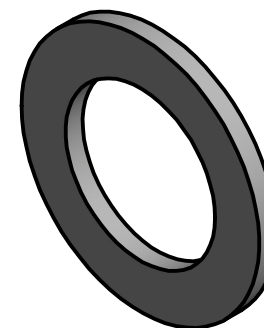
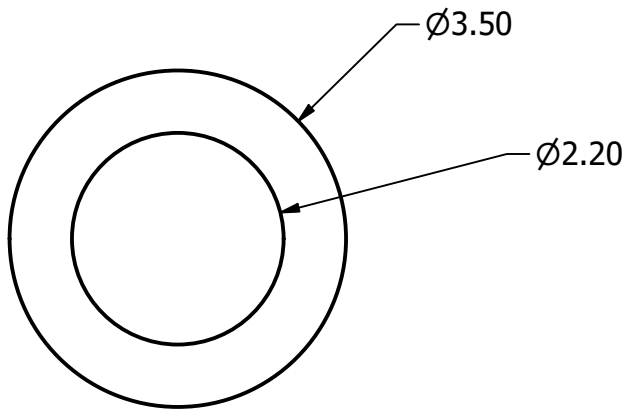
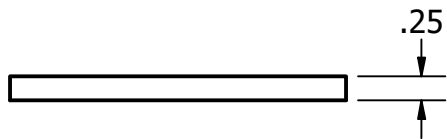
DRAWN John Hillock		4/30/2021		TITLE				
CHECKED								
QA								
MFG								
APPROVED				SIZE A		DWG NO clock-parts-drawings-version-1		REV
				SCALE 1 / 4		SHEET 3 OF 13		



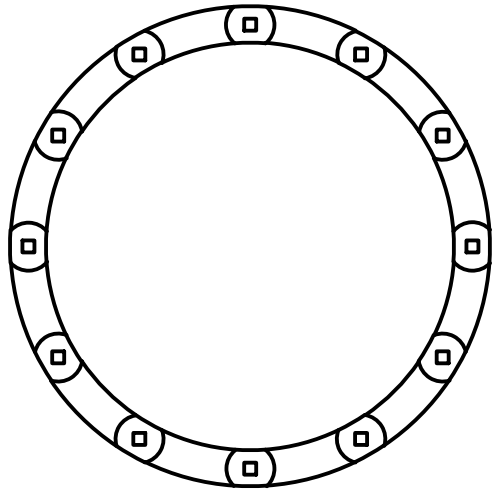
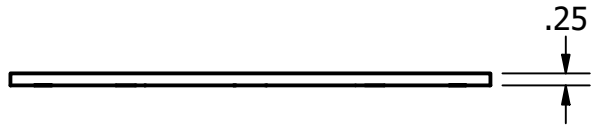
DRAWN John Hillock	4/30/2021	TITLE		
CHECKED				
QA		SIZE A		
MFG				
APPROVED				
		DWG NO clock-parts-drawings-version-1	REV 1	
		SCALE 1 / 4	SHEET 4 OF 13	



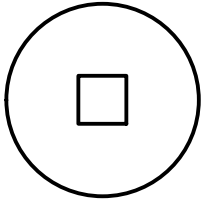
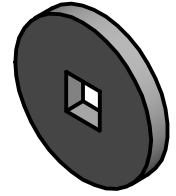
DRAWN John Hillock		4/30/2021		TITLE			
CHECKED							
QA							
MFG							
APPROVED							
		SIZE A		DWG NO clock-parts-drawings-version-1	REV		
		SCALE 1 / 2		SHEET 5 OF 13			



DRAWN John Hillock		4/30/2021		TITLE		
CHECKED						
QA						
MFG						
APPROVED						
		SIZE A		DWG NO clock-parts-drawings-version-1	REV	
		SCALE 1 / 2		SHEET 6 OF 13		



DRAWN John Hillock		4/30/2021		TITLE		
CHECKED						
QA				SIZE A		
MFG						
APPROVED						
				DWG NO clock-parts-drawings-version-1		REV
				SCALE 1 / 4		SHEET 7 OF 13



DRAWN John Hillock		4/30/2021		TITLE				
CHECKED								
QA								
MFG								
APPROVED				SIZE A		DWG NO clock-parts-drawings-version-1		REV
				SCALE 1 : 1		SHEET 8 OF 13		

2



1

B

B



A

A

2

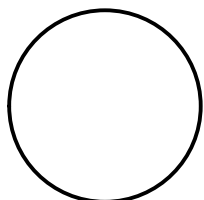
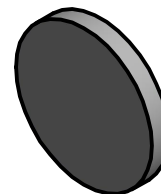


1

2



1



B

B



A

A

DRAWN John Hillock	4/30/2021			
CHECKED		TITLE		
QA				
MFG				
APPROVED				
		SIZE A	DWG NO clock-parts-drawings-version-1	REV
		SCALE 1 : 1	SHEET 9 OF 13	

2

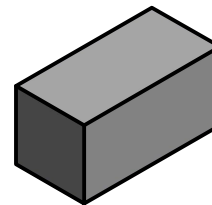


1

2

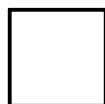


1



B

B



A

A

DRAWN John Hillock	4/30/2021			
CHECKED		TITLE		
QA				
MFG				
APPROVED				
		SIZE A	DWG NO clock-parts-drawings-version-1	REV
		SCALE 1 : 1	SHEET 10 OF 13	

2



1

2

1



B

B



A

A

DRAWN John Hillock	4/30/2021			
CHECKED		TITLE		
QA				
MFG				
APPROVED				
		SIZE A	DWG NO clock-parts-drawings-version-1	REV
		SCALE 1 : 1	SHEET 11 OF 13	

2

1



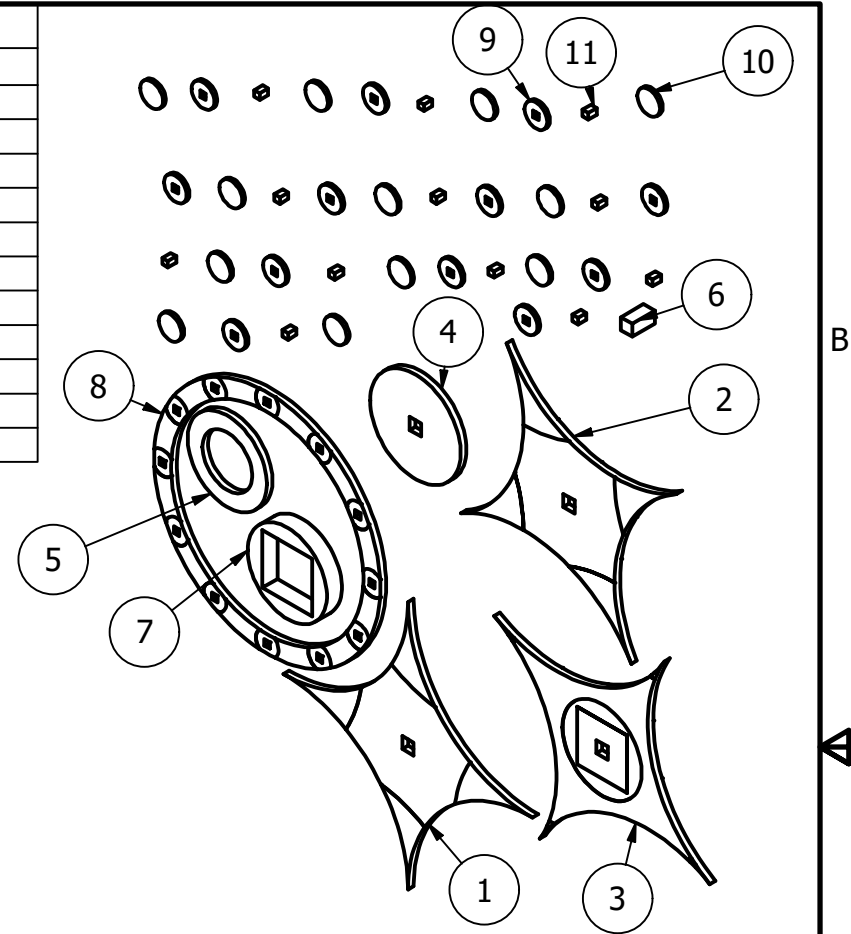
2



1

PARTS LIST

ITEM	QTY	PART NUMBER	DESCRIPTION
1	1	clock-0-offset-version-2	
2	1	clock-30-offset-version-2	
3	1	clock-60-offset-version-2	
4	1	clock-base-version-2	
5	1	clock-motor-holder-cover-version-2	
6	1	clock-main-column-version-1	
7	1	clock-motor-holder-version-2	
8	1	clock-number-disks-holding-ring-version-2	
9	12	clock-number-disk-base-version-1	
10	12	clock-number-disk-blank-version-2	
11	12	clock-number-disks-column-version-1	



B

B



A

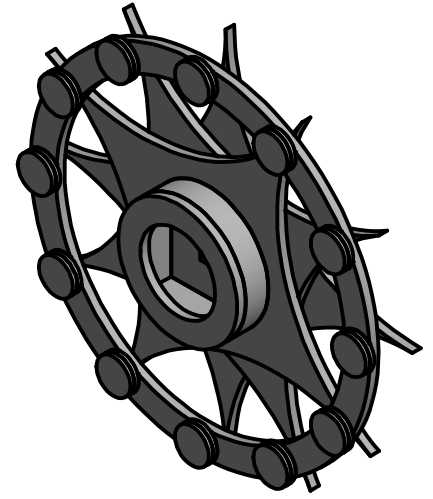
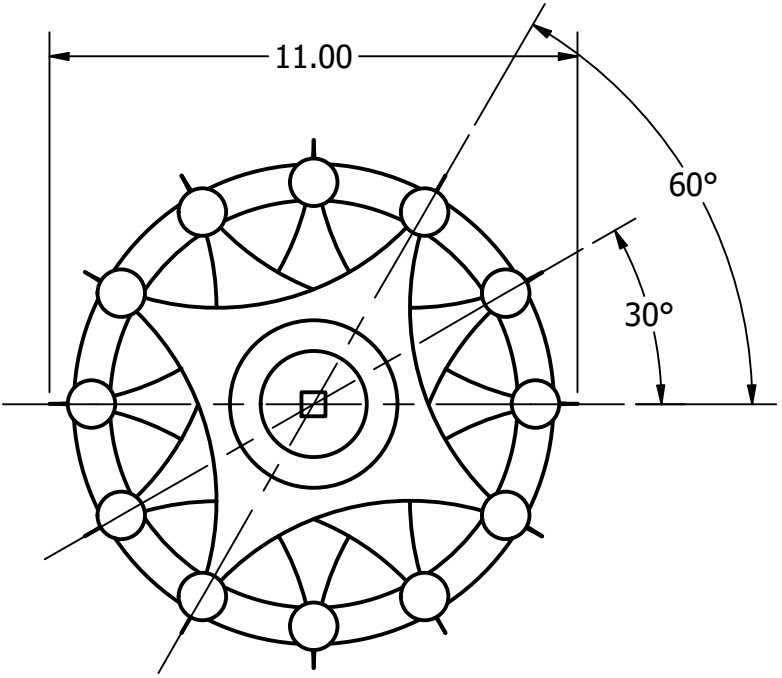
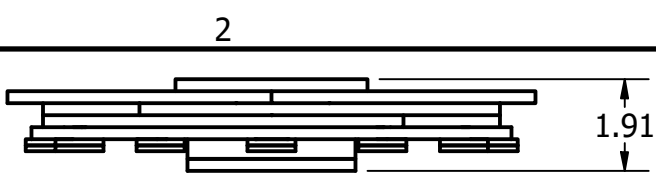
A

DRAWN John Hillock	4/30/2021	TITLE		
CHECKED				
QA				
MFG				
APPROVED				
		SIZE A	DWG NO clock-parts-drawings-version-1	REV
		SCALE 1/6	SHEET 12 OF 13	

2



1



DRAWN John Hillock		4/30/2021		TITLE					
CHECKED									
QA									
MFG									
APPROVED				SIZE A					
							DWG NO		REV
							clock-parts-drawings-version-1		
				SCALE	1 / 4	SHEET 13 OF 13			