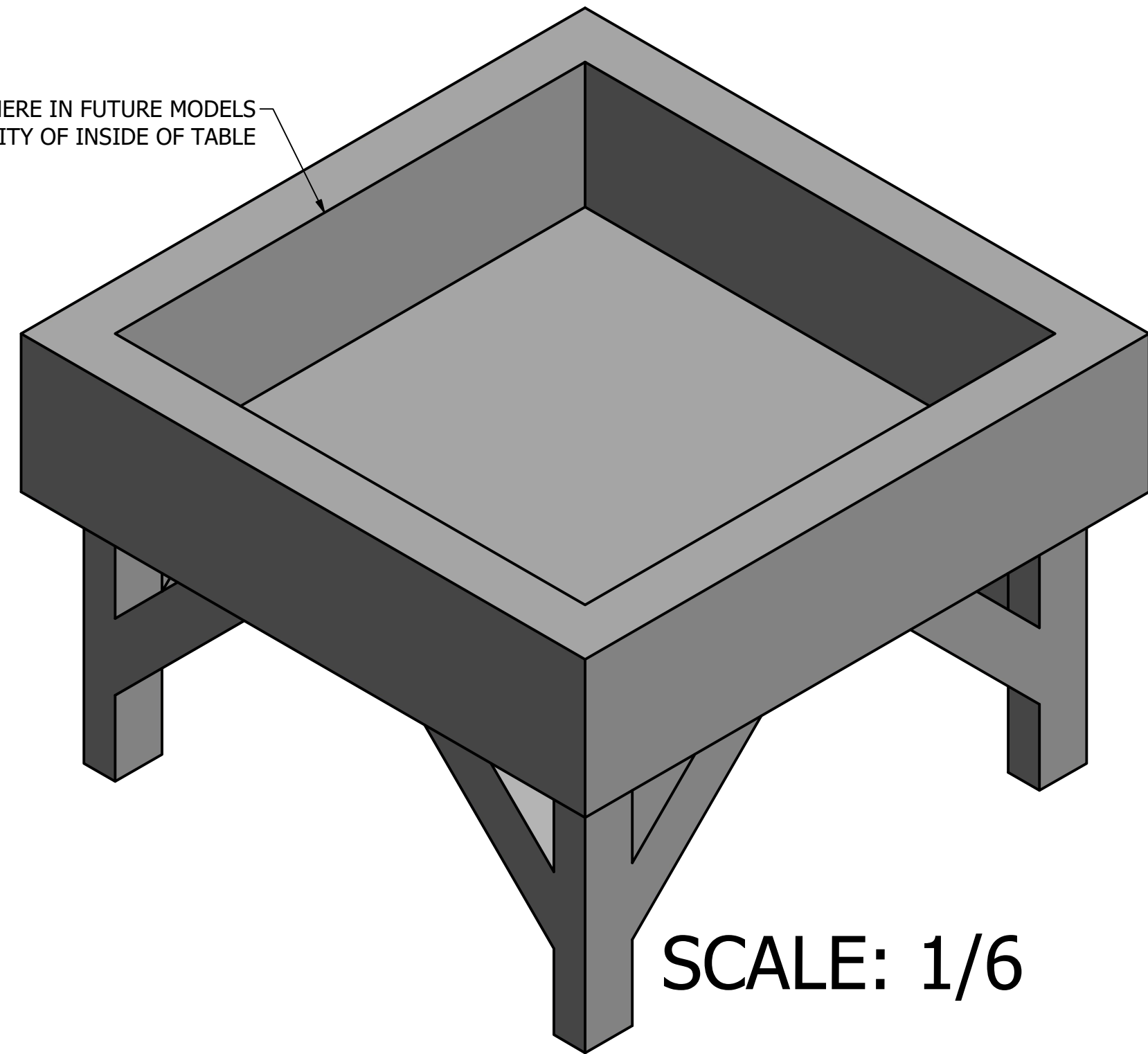
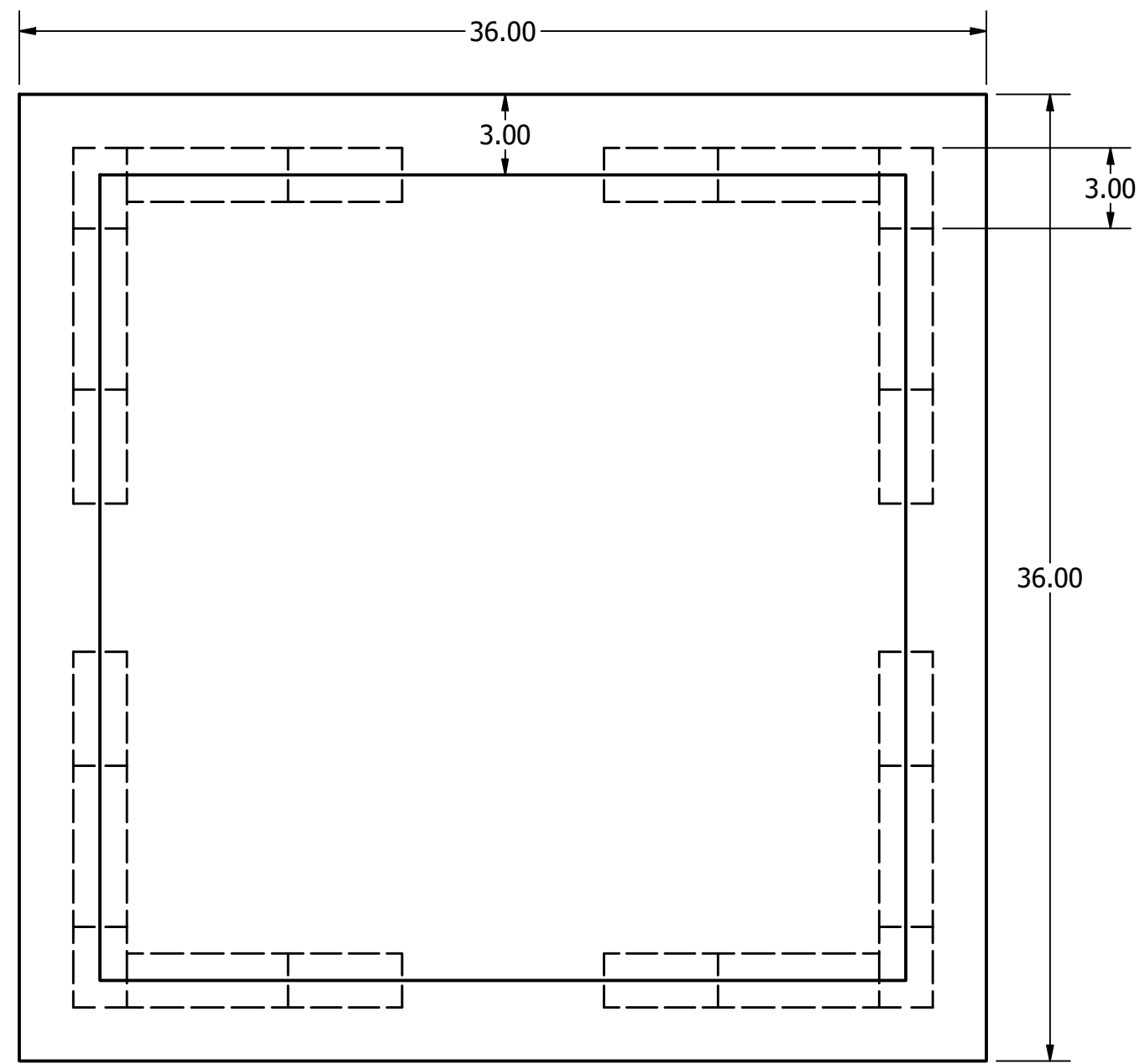
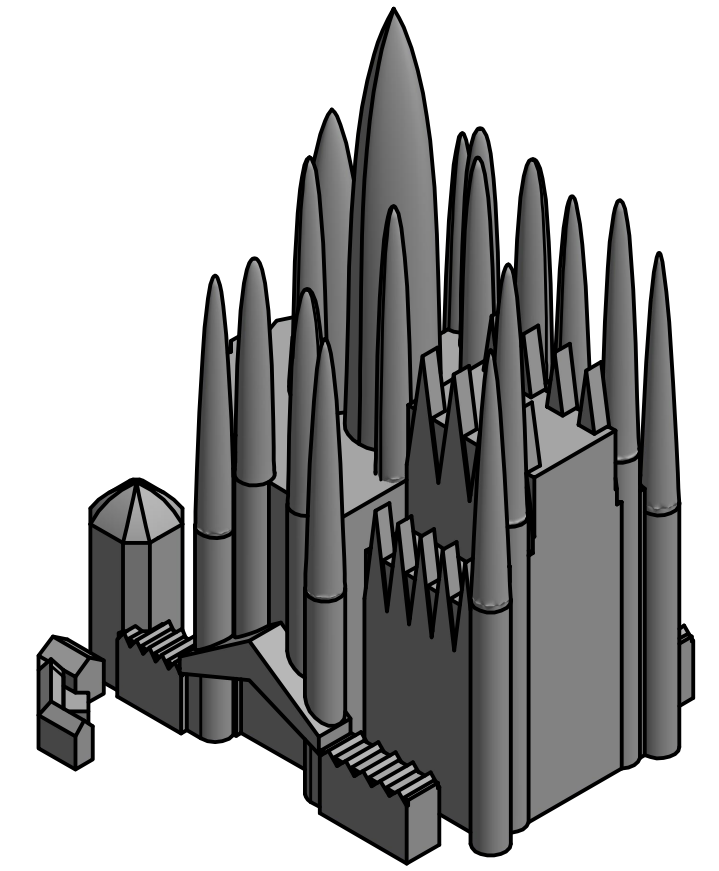
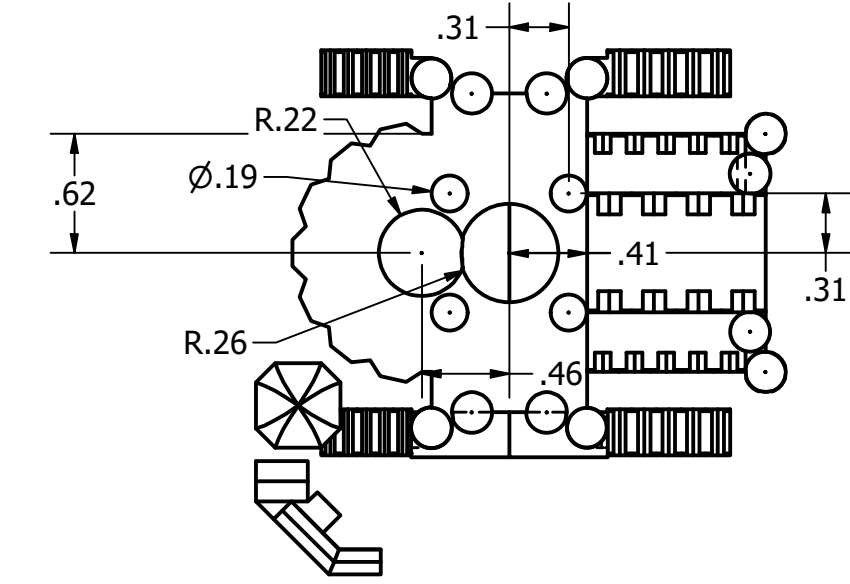
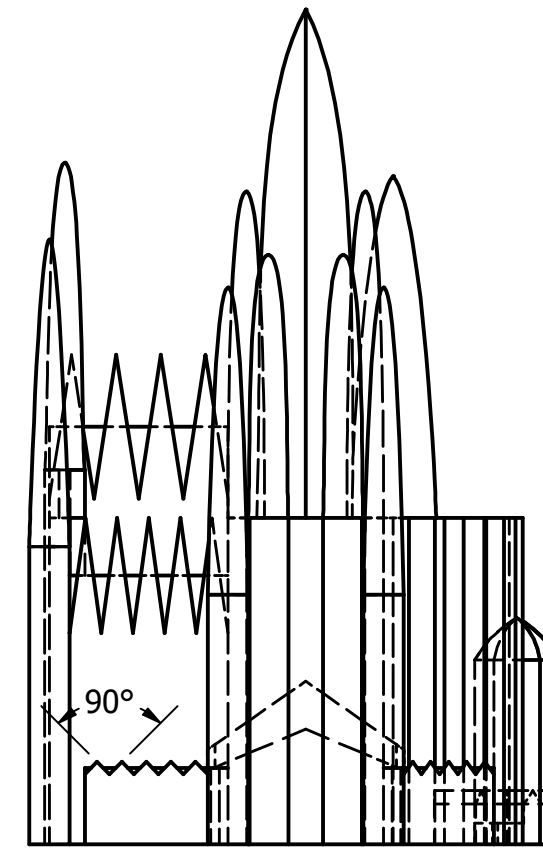


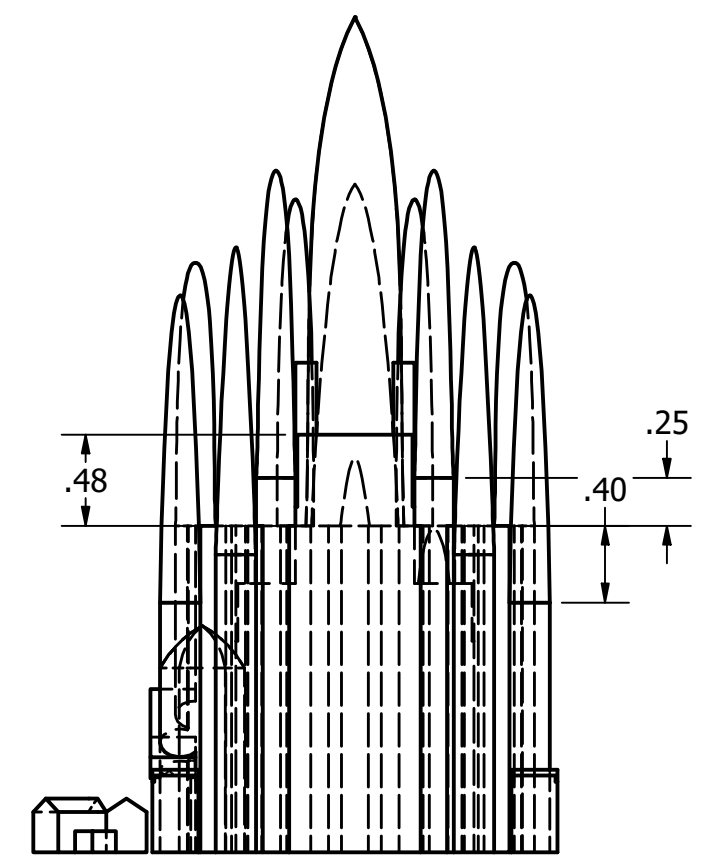
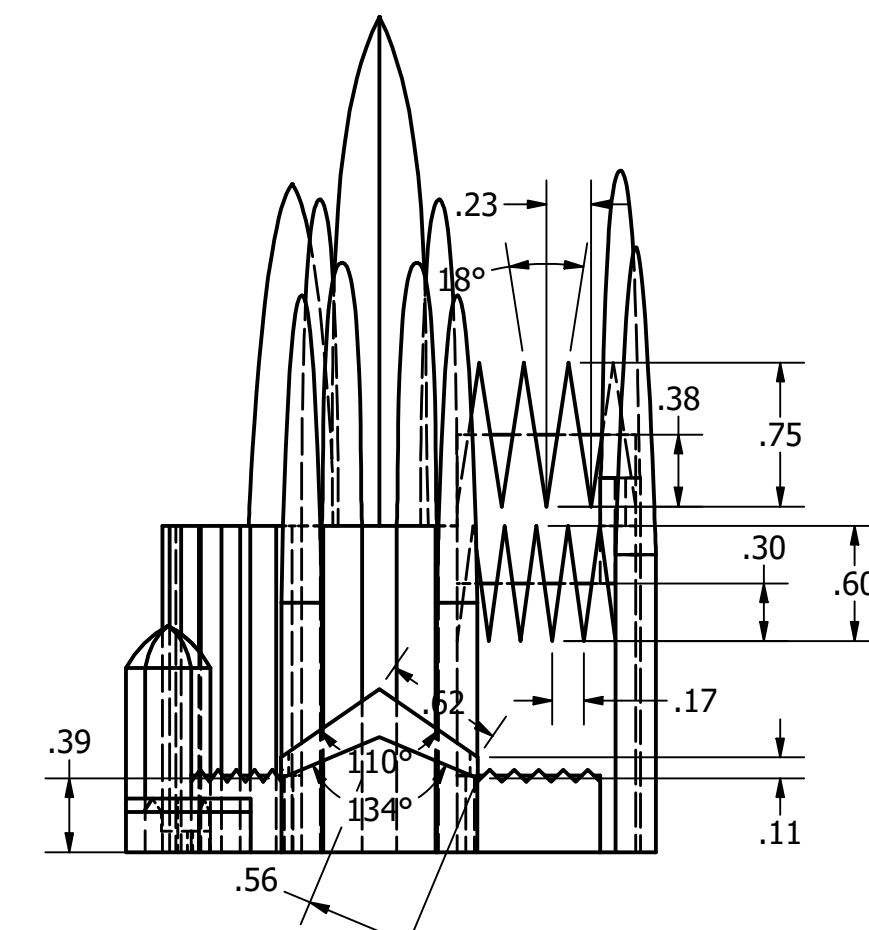
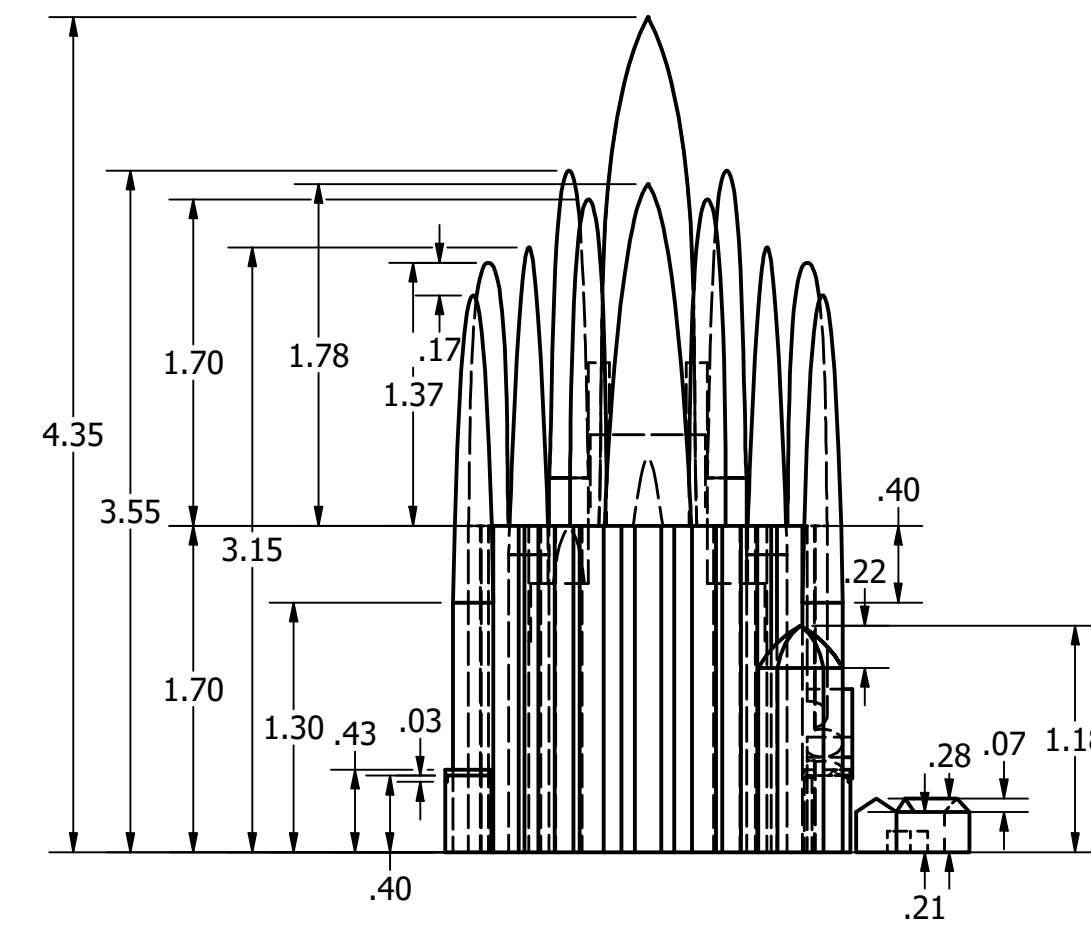
GLASS WILL BE INSERTED HERE IN FUTURE MODELS
CURRENTLY NOT PRESENT TO INCREASE VISIBILITY OF INSIDE OF TABLE



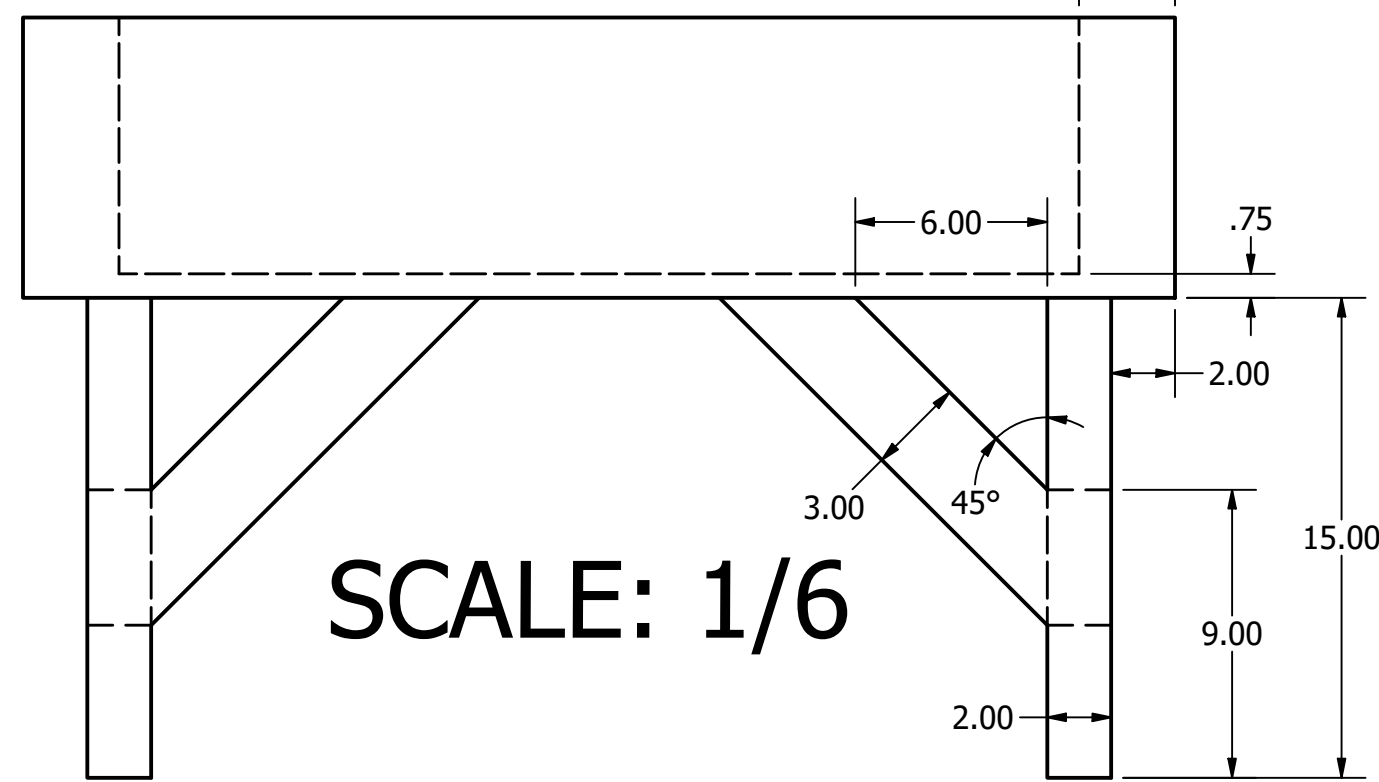
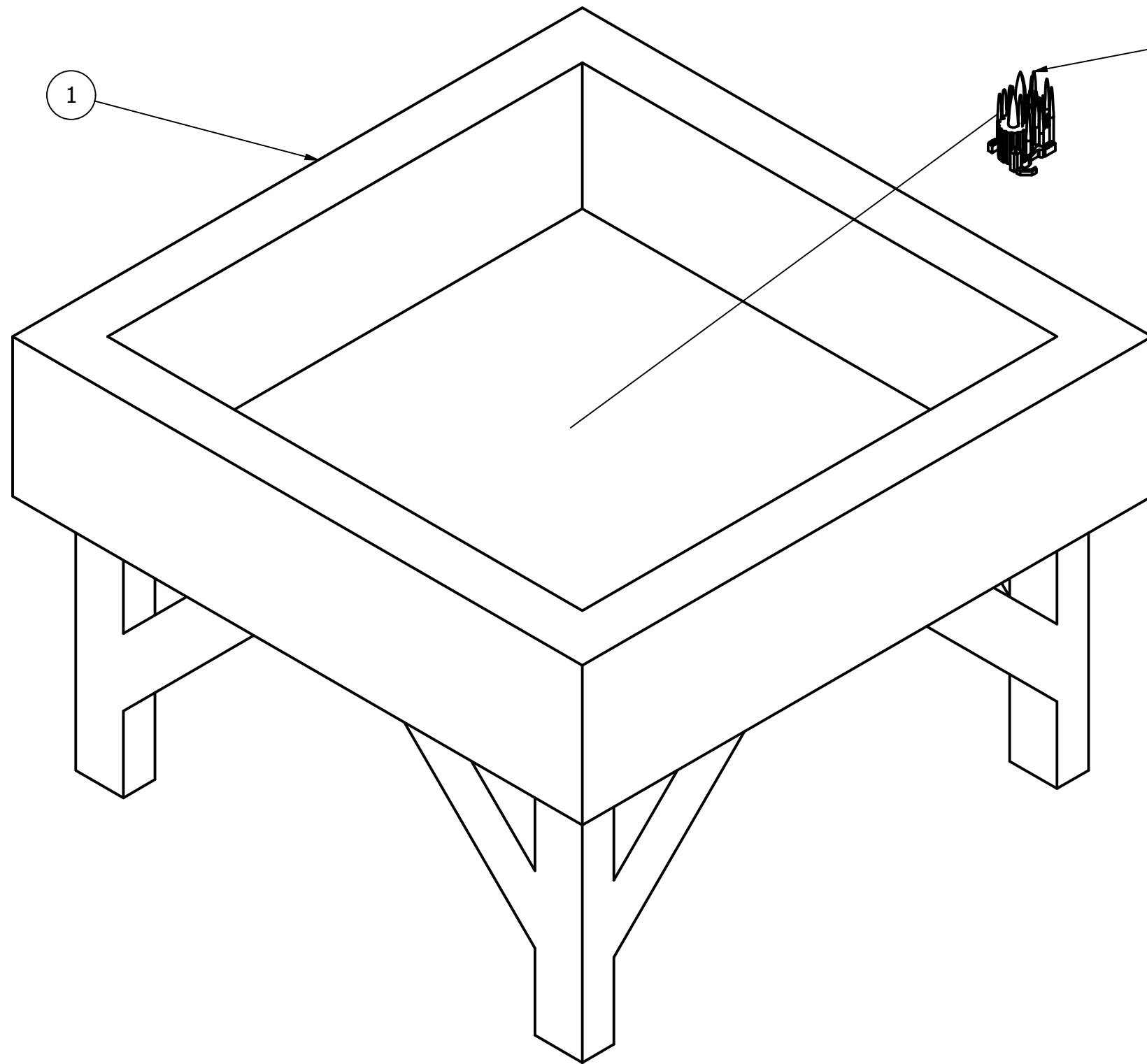
SCALE: 1/6



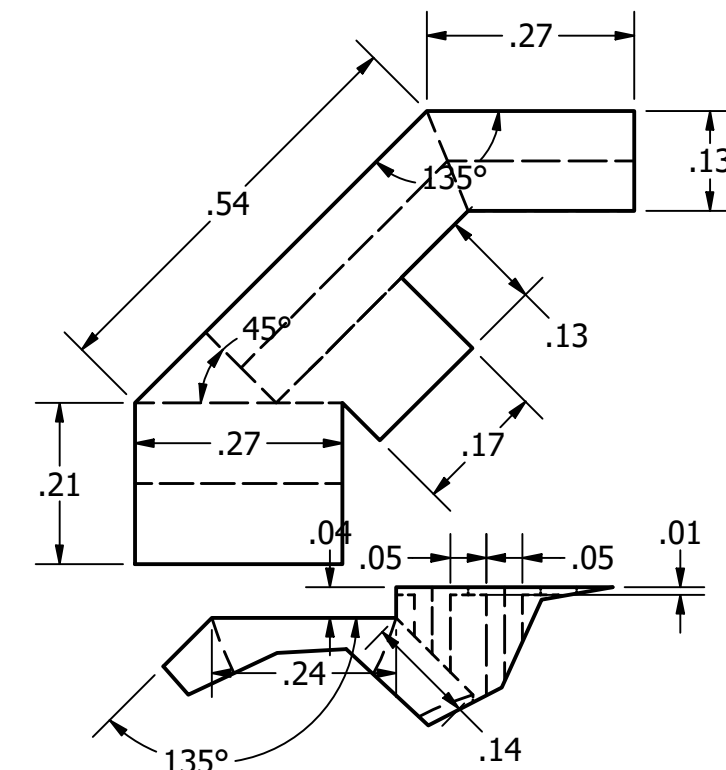
SCALE: 1/6



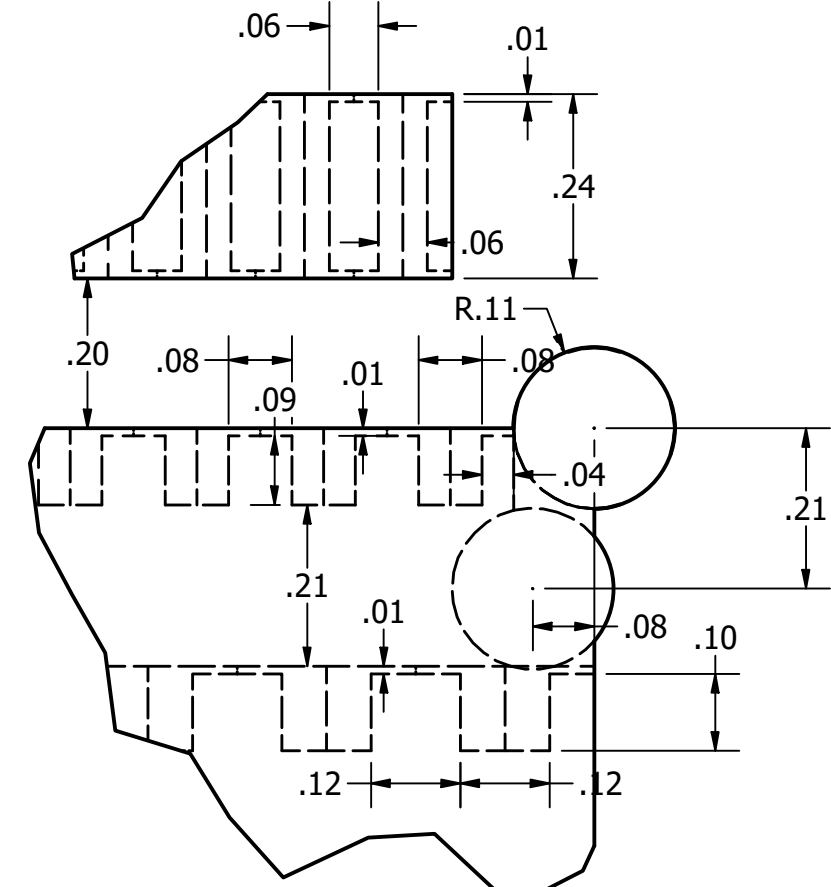
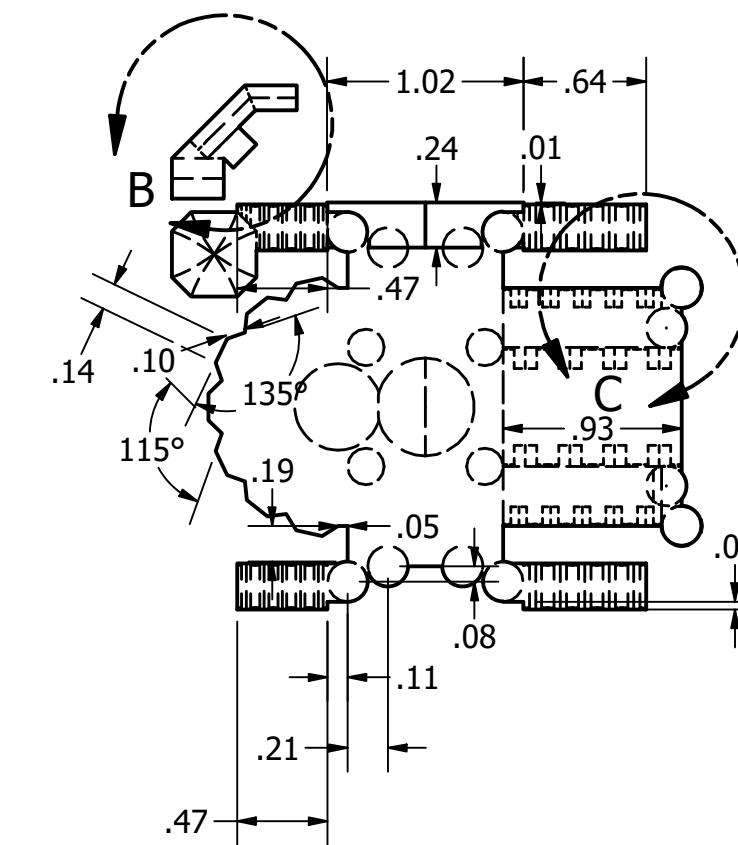
PARTS LIST			
ITEM	QTY	PART NUMBER	DESCRIPTION
1	1	Entire Table Model v1.1	Will be laser-cutted using plywood and other woodworking tools
2	1	Block 3C v1.0	Will be 3D-printed



SCALE: 1/6



DETAIL B
SCALE 4 : 1



DETAIL C
SCALE 4 : 1

DRAWN Libby Hillock	2/3/2022	TITLE	
CHECKED		Barcelona Model Drawing (2-3-22)	
QA		SIZE	DWG NO
MFG		D	2-4-22 Progress Check Drawing
APPROVED		SCALE	1 : 1
		SHEET 1 OF 1	